



LED High Bay

LUXEON

BY PHILIPS LUMILEDS



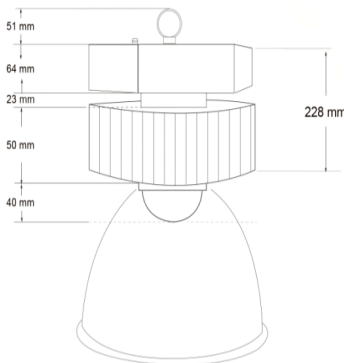
Xitanium LED Driver



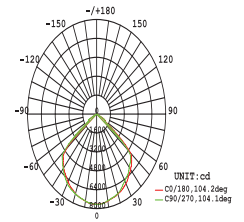
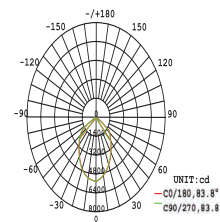
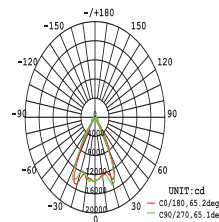
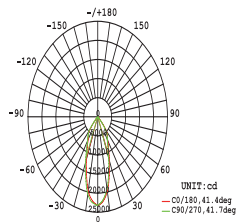
Unprecedented one in industrial Lighting
Unique Excellence



Mechanical drawing



Photometrics



Specification

Electrical

LED Power	117W
System Power	130W
Input Voltage	220-240V 90-305V
Power supply/Driver	Philips Xitanium Inventronis
Power factor	≥0.98
THD	<10%

Optical

LED Source	Lumileds LUXEON 3030/5050
LED Efficiency	150-180lm/w
LED QTY	168pcs 3030/28pcs 5050
Luminous Flux(lm)	18200
Beam Angle (Reflector)	Aluminum: 45°/90°/120° PC: 45°/90°
Color Temperature	3000K, 4000K, 5000K, 5700K
CRI	Ra70, Ra80, Ra90
Lumen Maintenance	L85B10@50, 000hours
SDCM (MacAdam ellipse)	<5
Optical Lens	Polycarbonate

General

Working Temperature	-40°C ~ 55°C
Frame color	Aluminum
Frame material	Aluminum 6063
Surface Treatment	Anodizing
Accessories	Hanging ring
Installation way	Ceiling
Life Span	100,000hrs
Warranty	5 years
Net Weight (kg)	4
Gross Weight(kg)	5
Packing size (cm)	34*34*29

Certificate & protection

IK Class	IK10
D-mark	Yes
IP-protection	IP65
Surge Protection	6kv/10kv
Certificate	CE SAA ENEC CB

Control & Dimming

Dimming	1-10v DALI
Switch off	Optional
Wireless	Zigbee
Daylight sensor	Optional
Motion sensor	Optional
Wireless sensor	Optional

