



LED High Bay

LUXEON

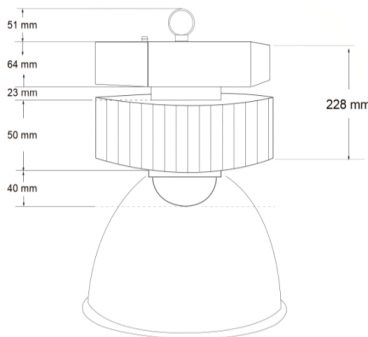
BY PHILIPS LUMILEDS



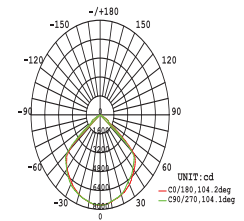
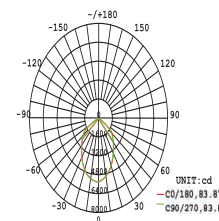
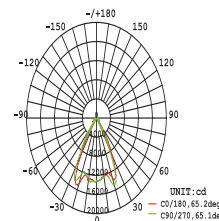
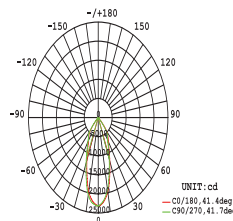
Xitanium LED Driver

 Unprecedented one in industrial Lighting
 Unique Excellence


Mechanical drawing



Photometrics



Specification

Electrical

LED Power	135W
System Power	150W
Input Voltage	220-240V 90-305V
Power supply/Driver	Philips Xitanium Inventronics
Power factor	≥0.98
THD	<10%

Optical

LED Source	Lumileds LUXEON 5050
LED Efficiency	150-180lm/w
LED QTY	32pcs
Luminous Flux(lm)	21000
Beam Angle (Reflector)	Aluminum: 45°/90°/120° PC: 45°/90°
Color Temperature	3000K, 4000K, 5000K, 5700K
CRI	Ra70, Ra80, Ra90
Lumen Maintenance	L95B10@50,000hours
SDCM (MacAdam ellipse)	<5
Optical lens	Polycarbonate

General

Working Temperature	-40°C ~ 55°C
Frame color	Aluminum
Frame material	Aluminum 6063
Surface Treatment	Anodizing
Accessories	Hanging ring
Installation way	Ceiling
Life Span	100,000hrs
Warranty	5 years
Net Weight (kg)	4.3
Gross Weight(kg)	5.2
Packing size (cm)	34*34*29

Certificate & protection

IK Class	IK10
D-mark	Yes
IP-protection	IP20/IP65
Surge Protection	6kv/10kv
Certificate	CE SAA ENEC CB

Control & Dimming

Dimming	1-10v DALI
Switch off	Optional
Wireless	Zigbee
Daylight sensor	Optional
Motion sensor	Optional
Wireless sensor	Optional

