



LED High Bay

LUXEON
BY PHILIPS LUMILEDS

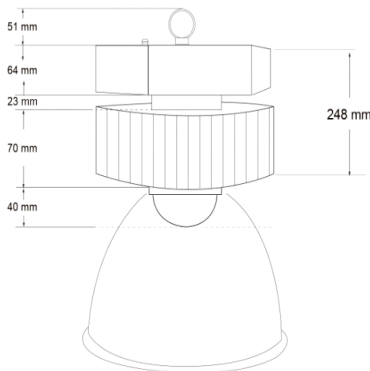
PHILIPS
Xitanium LED Driver



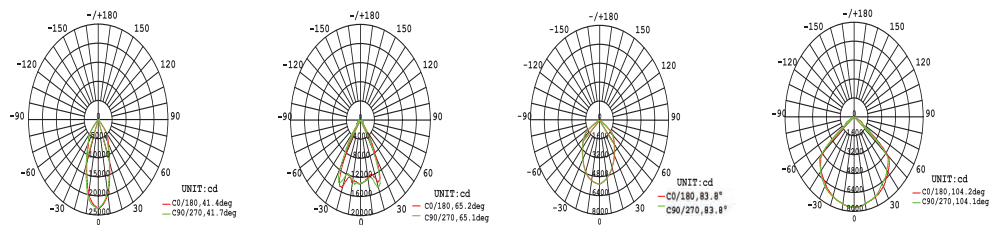
Unprecedented one in industrial Lighting
Unique Excellence



Mechanical drawing



Photometrics



Specification

Electrical

| | |
|---------------------|----------------------------------|
| LED Power | 180W |
| System Power | 200W |
| Input Voltage | 220-240V 90-305V |
| Power supply/Driver | Philips Xitanium Inventronics |
| Power factor | ≥0.98 |
| THD | <10% |

Optical

| | |
|------------------------|------------------------------------|
| LED Source | Lumileds LUXEON 5050 |
| LED Efficiency | 150-180lm/w |
| LED QTY | 44pcs 5050 |
| Luminous Flux (lm) | 28000 |
| Beam Angle (Reflector) | Aluminum: 45°/90°/120° PC: 45°/90° |
| Color Temperature | 3000K, 4000K, 5000K, 5700K |
| CRI | Ra70, Ra80, Ra90 |
| Lumen Maintenance | L85B10@50,000hours |
| SDCM (MacAdam ellipse) | <5 |
| Optical lens | Polycarbonate |

General

| | |
|---------------------|---------------|
| Working Temperature | -40°C ~ 55°C |
| Frame color | Aluminum |
| Frame material | Aluminum 6063 |
| Surface Treatment | Anodizing |
| Accessories | Hanging ring |
| Installation way | ceiling |
| Life Span | 100,000hrs |
| Warranty | 5 years |
| Net Weight (kg) | 5.4 |
| Gross Weight (kg) | 6.3 |
| Packing size (cm) | 34*34*32 |

Certificate & protection

| | |
|------------------|----------------|
| IK Class | IK10 |
| D-mark | Yes |
| IP-protection | IP65 |
| Surge Protection | 6kv/10kv |
| Certificate | CE SAA ENEC CB |

Control & Dimming

| | |
|-----------------|------------|
| Dimming | 1-10v DALI |
| Switch off | Optional |
| Wireless | Zigbee |
| Daylight sensor | Optional |
| Motion sensor | Optional |
| Wireless sensor | Optional |

