



## FH LED STREET LIGHTS . Series LS/ML/LK



Greater than 125lm/W High Efficacy,  
Illumination Grade LED Light Source.



**PHILIPS**



**Intertek**

CERTIFICADO  
RETILAP

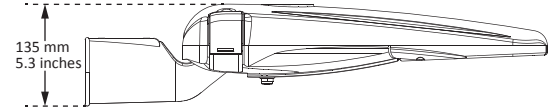
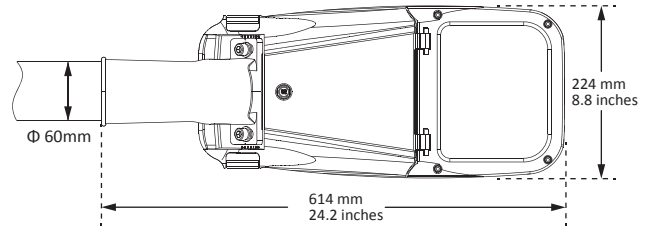




➤ Deep Grey

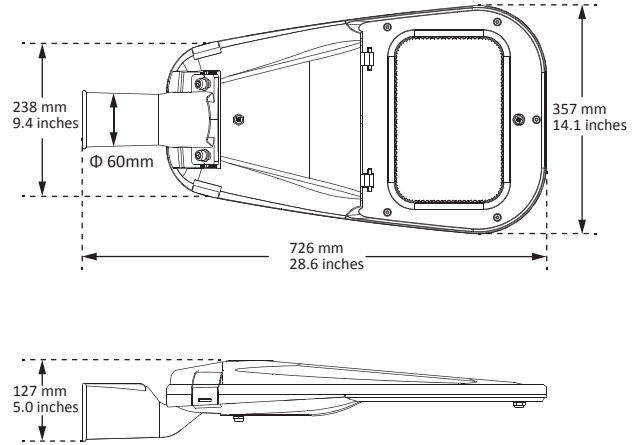
➤ Light Grey





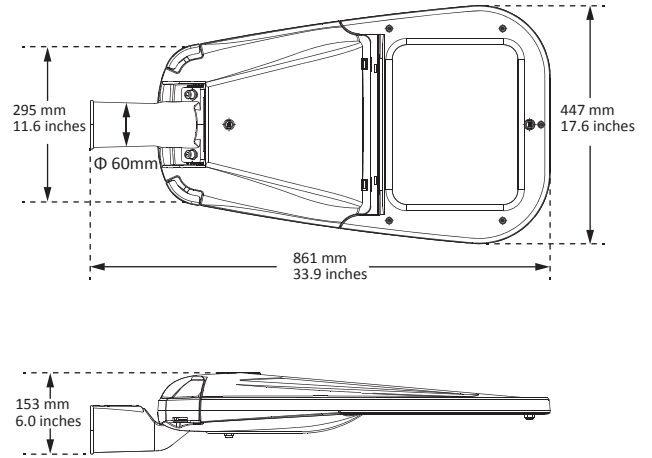
Product	FH-LS25	FH-LS35	FH-LS55
Norminal Wattage	25W	35W	55W
LED Qty &Current	48 units &83 mA	72 units &78 mA	96 units &88 mA
Input Voltage	100-240V /277V AC 50 /60Hz		
Dimming	/	0-10V	
LED Brand	Philips Lumileds 3030		
Driver Brand	Non-dimmable: MeanWell HLG Driver		
Max. Current @ 120V	0.26A	0.36A	1.57A
Max. Current @208V	0.15A	0.21A	0.33A
Max. Current @240V	0.13A	0.18A	0.28A
Max. Current @277V	0.11A	0.16A	0.25A
Operating Temperature	-40 °C to +50 °C		
Power Factor(PF)	> 0.95		
THD	< 20%		
Lumen Output (+/- 5%)	2875 lm	4025 lm	6325 lm
Luminaire efficacy (+/- 5%)	115 lm /w	115 lm /w	115 lm /w
Optic	1M, 2M, 3M		
CRI	> 70		
CCT	4000K (Nature White), 5000K (Pure White), 5700K (Cool White)		
Rating	IP66, IK08		
Material	Die-cast aluminum; Tempered Glass		
Installation	Horizontal and vertical installation are both available; Adjustable tilt angle: 0-5-10-15°		
Accessories (Optional)	Motion Sensor, Photocell		
Shell Color	Light Grey or Deep Grey		
Lumen Maintenance	> 75,000 hours-L <sub>70</sub> at 25 °C		
Certifications	CE, ROHS, LM80, ISO9001, ISO14001		
Fixture Weight	5.8 kg /12.8 lbs	5.9 kg /13.0 lbs	6.0 kg /13.2 lbs
Packaging Weight	7.3 kg /16.1 lbs	7.4 kg /16.3 lbs	7.5 kg /16.5 lbs
Packaging Dimension	675 X290 X220 mm /36.6 X11.4 X8.7 inches		
Packaging Type	1 unit /ctn.		





Product	FH-60ML	FH-90ML	FH-120ML
Norminal Wattage	60W	90W	120W
LED Qty &Current	96 units &93 mA	144 units &93 mA	192 units &93 mA
Input Voltage	100-240V /277V AC 50 /60Hz		
Dimming	0-5V, 0-10V, PWM, Timer		
LED Brand	Philips Lumileds 3030		
Driver Brand	Non-dimmable: MeanWell HLG Driver		
Max. Current @ 120V	0.62A	0.93A	1.23A
Max. Current @208V	0.36A	0.53A	0.71A
Max. Current @240V	0.31A	0.46A	0.62A
Max. Current @277V	0.27A	0.40A	0.53A
Operating Temperature	-40 °C to +50 °C		
Power Factor(PF)	> 0.95		
THD	< 20%		
Lumen Output (+/- 5%)	<b>7500</b>	<b>11250</b>	<b>15000</b>
Luminaire efficacy (+/- 5%)	125 lm /w	125 lm /w	125 lm /w
Optic	1M, 2M, 3M		
CRI	> 70		
CCT	4000K (Nature White), 5000K (Pure White), 5700K (Cool White)		
Rating	IP66, IK08		
Material	Die-cast aluminum; Tempered Glass		
Installation	Horizontal and vertical installation are both available; Adjustable tilt angle: 0-5-10-15°		
Accessories (Optional)	Motion Sensor, Photocell		
Shell Color	Light Grey or Deep Grey		
Lumen Maintenance	> 75,000 hours-L <sub>70</sub> at 25 °C		
Certifications	CE, ROHS, LM80, ISO9001, ISO14001		
Fixture Weight	7.8 kg /17.2 lbs	8.1 kg /17.6 lbs	8.2 kg /18.1 lbs
Packaging Weight	9.8 kg /21.6 lbs	10.1 kg /22.3 lbs	10.2 kg /22.5 lbs
Packaging Dimension	785 X415 X205 mm /31.0 X16.3 X8.1 inches		
Packaging Type	1 unit /ctn.		

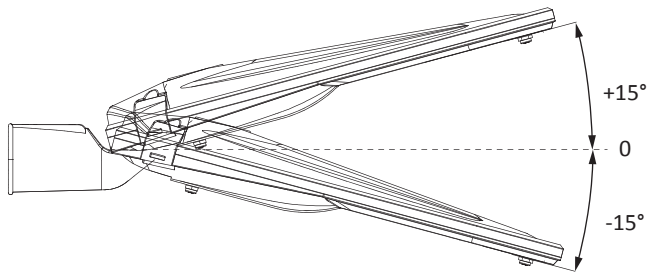




Product	FH-120LK	FH-150LK	FH-180LK	FH-200LK
Norminal Wattage	120W	150W	180W	200W
LED Qty &Current	192 units &93 mA	240 units &93 mA	288 units &93 mA	336 units &93 mA
Input Voltage	100-240V /277V AC 50 /60Hz			
Dimming	0-5V, 0-10V, PWM, Timer			
LED Brand	Philips Lumileds 3030			
Driver Brand	Non-dimmable: MeanWell HLG Driver			
Max. Current @ 120V	1.23A	1.54A	1.85A	2.06A
Max. Current @208V	0.71A	0.89A	1.07A	1.19A
Max. Current @240V	0.62A	0.77A	0.93A	1.03A
Max. Current @277V	0.53A	0.67A	0.80A	0.89A
Operating Temperature	-40 °C to +50 °C			
Power Factor(PF)	> 0.95			
THD	< 20%			
Lumen Output (+/- 5%)	15000 lm	18750 lm	22500 lm	25000 lm
Luminaire efficacy (+/- 5%)	125 lm /w	125 lm /w	125 lm /w	125 lm /w
Optic	1M, 2M, 3M			
CRI	> 70			
CCT	4000K (Nature White), 5000K (Pure White), 5700K (Cool White)			
Rating	IP66, IK08			
Material	Die-cast aluminum; Tempered Glass			
Installation	Horizontal and vertical installation are both available; Adjustable tilt angle: 0-5-10-15°			
Accessories (Optional)	Motion Sensor, Photocell			
Shell Color	Light Grey or Deep Grey			
Lumen Maintenance	> 75,000 hours-L <sub>70</sub> at 25 °C			
Certifications	CE, ROHS, LM80, ISO9001, ISO14001			
Fixture Weight	12.0 kg /26.5 lbs	12.0 kg /26.5 lbs	12.1 kg /26.7 lbs	12.2 kg /26.9 lbs
Packaging Weight	14.5 kg /32.0 lbs	14.5 kg /32.0 lbs	14.6 kg /32.2 lbs	14.7 kg /32.4 lbs
Packaging Dimension	915 X495 X225 mm /36.0 X19.5 X8.9 inches			
Packaging Type	1 unit /ctn.			

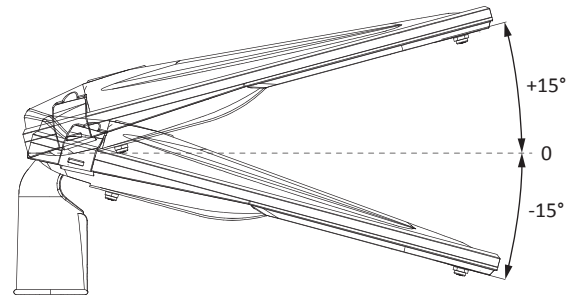


## FLEXIBLE INSTALLATION



Horizontal installation: Adjustable tilt angle: 0-5-10-15°

## PRODUCT CATALOG

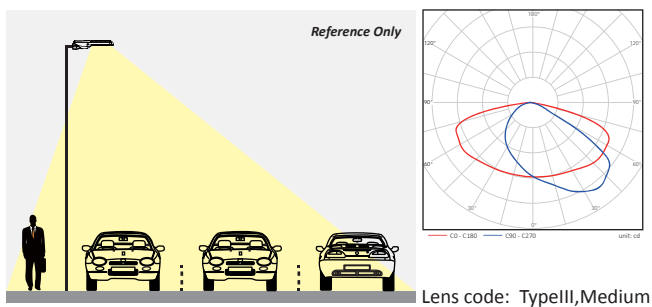
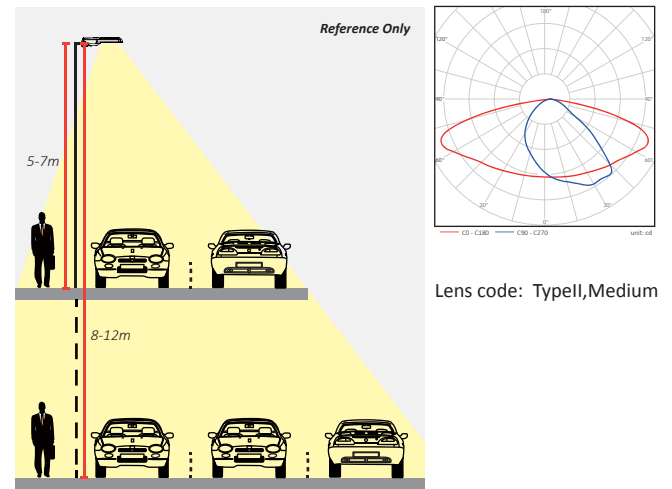
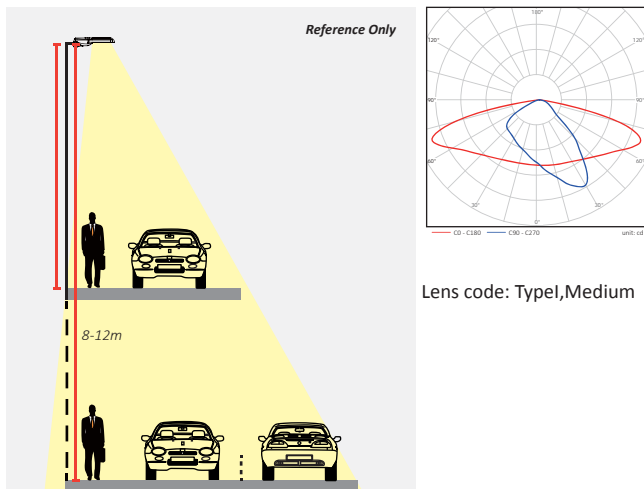


Vertical installation: Adjustable tilt angle: 0-5-10-15°

## OPTIC

Application (Driverway width=3.5M):

Urban Main Roads | Highway | Parking Lot | Area





# FH LED STREET LIGHTS . Series LS/ML/LK

certificado  
**RETILAP**



## Photocell available

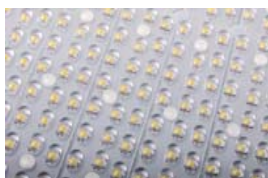
Lamp will Auto turn on and off according to lux difference.

## LED power supply



### + NON-DIMMABLE

High-end MeanWell HLG Series LED driver, optimal stability, performance and lifespan.



## LED lens design

Optional light distribution curve available with 1M, 2M, 3M, Utilize high permeability tempered glass, providing the best lumen output of the luminaire.



## Imported breather

Lamp breather ensures air balance inside and outside of the lamp which improved lamp service life.



## Power turn off protector

When the lamp maintenance, Open lamp flash, Internal power lamp, Protect the safety of personnel.



## Lighting protection device

To provide more reliable guarantee for LED drive power, extend the life of the product.



## Connect base

Disassemble easily which reduces maintenance costs.

