

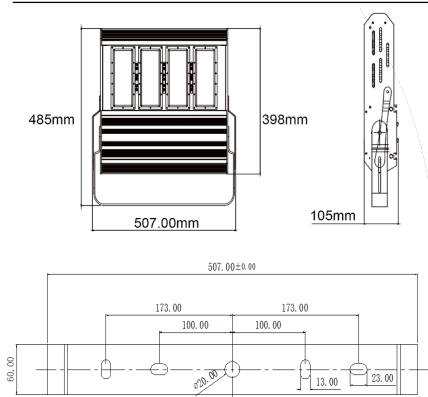
## New LED Flood Light

**LUXEON**  
BY PHILIPS LUMILEDS

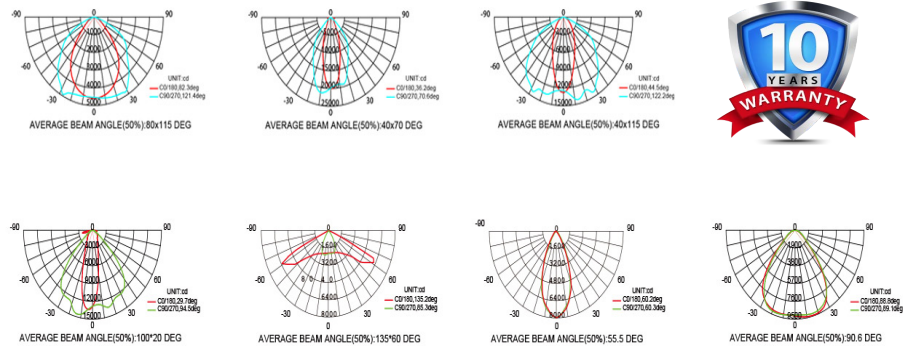
**PHILIPS**  
Xitanium LED Driver



### Mechanical drawing



### Photometrics



### Specification

#### Electrical

LED Power	288W
System Power	320W
Input Voltage	220-240V 90-305V
Power supply/Driver	Philips Xitanium Inventronics
Power factor	≥0.98
THD	<10%

#### Optical

LED Source	Lumileds LUXEON M
LED Efficiency	140-150Lm/w
LED QTY	24
Luminous Flux (lm)	32240
Beam Angle	15° / 30° / 60° / 60°*135°
Color Temperature	3000K, 4000K, 5000K, 5700K
CRI	Ra70, Ra80, Ra90
Lumen Maintenance	L85B10 @ 50,000 Hours
SDCM (MacAdam ellipse)	<3
Optical cover	Polycarbonate cover

#### Control & Dimming

Dimming	1-10v DALI
Switch off	Optional
Wireless	Zigbee
Daylight sensor	Optional
Motion sensor	Optional
Wireless sensor	Optional

#### General

Working Temperature	-40°C ~ 55°C
Frame color	Aluminum
Frame material	Aluminum 6063
Surface Treatment	Anodizing & Electrophoresis
Bracket	Steel/stainless steel
Accessories	-
Installation way	Wall, ceiling, surface mounted
Life Span	100,000hrs
Warranty	5 years
Net Weight (kg)	13
Gross Weight (kg)	15
Packing size (cm)	55*56*20

#### Certificate & protection

IK Class	IK10
D-mark	Yes
IP-protection	IP65
Surge Protection	6kv/10kv
Certificate	CE SAA ENEC CB

