

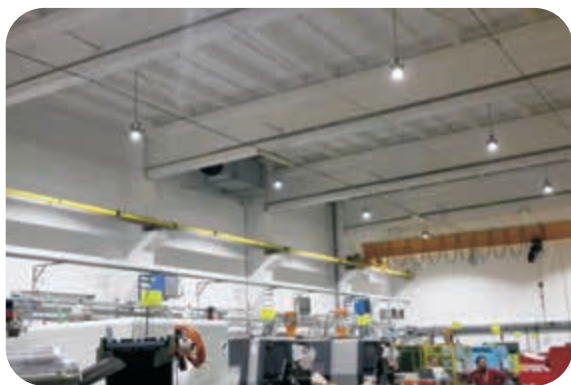
FHC9306AP/BP LED Explosion Proof Emergency Light(Pole)



Ex mark: Ex d e IIC T6/T5 Gb
Ex tb IIIC T80°C/T95°C Db, IP66

Application

- Ideal to be used in the oilfield, chemical industry, offshore drilling platform, steel industry, petroleum etc.
- Gas explosive environment: Group IIA, IIB, IIC.
- Zone 1, zone 2; zone 21, zone 22.



Characteristics

- It is made using a special aluminum housing, highly corrosive environment of offshore platforms, chlor-alkali, vulcanization cyanide a full range of high conductivity material accelerate convection cooling structure, effective guarantee long-term use in high temperature environments.
- variety of light distribution, variety of installation types, an effective solution to beautify workshop and device platform.
- The shell is made of high-tech surface coating technology, corrosion resistant, waterproof and dustproof, suitable for harsh environments.
- Imported light, high luminous efficiency, low-light failure, reliability ranking first in the same light source.
- Taiwan Meanwell power supply or same quality power supply, power factor above 0.98, high reliability and long time Life time .
- Independent wiring chamber, safe and easy installation and maintenance.
- All exposed fasteners adopt 304 stainless steel.
- Type A: usually can be used for 24 hours lighting lamps and lanterns to use, when the accident to provide emergency lighting;
- B type: accident to provide emergency lighting.
B type A type with manual emergency function.

Main Specification

Item	Technical Parameters
Type	BC9306AP/BP
Input voltage (V)	90~264VAC
Rated frequency	50Hz / 60Hz
Light source	LED
CRI (Ra)	70 (80 optional)
Life time (h)	50,000
CCT	4000K(3000K/5000K optional)
Cable entry	M20×1.5, M25×1.5, NPT3/4", NPT1/2", G3/4"
Leading-in cable diameter	φ 10mm~ φ 14mm
Terminals	Multi core: ≤2.5mm ²
	Single core: ≤4mm ²
Time of charging (h)	>6
Rated capacity	2.6Ah / 14.8V
Dimension (mm)	φ 230×270
Net weight (kg)	4.2



FHC9306AP/BP LED Explosion Proof Emergency Light(Pole)



Ordering Reference

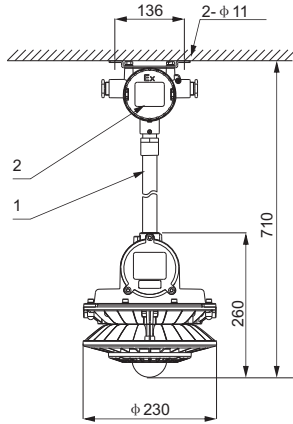
Ordering reference	Picture	Rated wattage(W)	Emergency wattage (W)	Emergency duration (min)	Emergency light output (lm)	Light distribution curve(1000cd/lm)	Space height ratio	Equivalent to MH
FHC9306AP-L40-15-60°		40W	15W	120min	1800		0.9	100W / 35W
FHC9306AP-L40-25-60°		40W	25W	70min	3300			100W / 70W
FHC9306AP-L40-15-80°		40W	15W	120min	1800		1.35	100W / 35W
FHC9306AP-L40-25-80°		40W	25W	70min	3300			100W / 70W
FHC9306AP-L40-15-100°		40W	15W	120min	1800		1.4	100W / 35W
FHC9306AP-L40-25-100°		40W	25W	70min	3300			100W / 70W
FHC9306AP-L40-15-200°		40W	15W	120min	1400		1.75	100W / 35W
FHC9306AP-L40-25-200°		40W	25W	70min	2600			100W / 70W
Auto Emergency								
FHC9306BP-15-60°		/	15W	120min	1800		0.9	35W
FHC9306BP-25-60°		/	25W	70min	3300			70W
FHC9306BP-15-80°		/	15W	120min	1800		1.35	35W
FHC9306BP-25-80°		/	25W	70min	3300			70W
FHC9306BP-15-100°		/	15W	120min	1800		1.4	35W
FHC9306BP-25-100°		/	25W	70min	3300			70W
FHC9306BP-15-200°		/	15W	120min	1400		1.75	35W
FHC9306BP-25-200°		/	25W	70min	2600			70W

FHC9306AP/BP LED Explosion Proof Emergency Light(Pole)

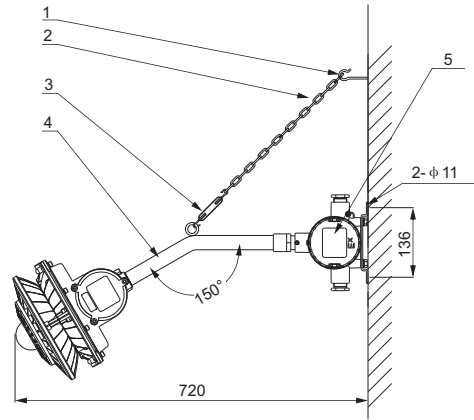


Drawing of Dimension (Dimensions in mm)

Pole mounting



Wall mounting 150°



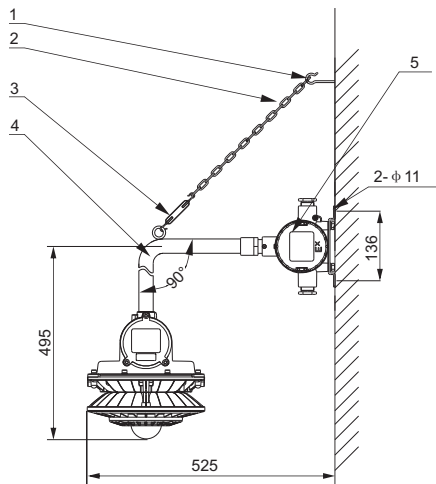
Accessories order information (Pole mounting)

Ordering reference	Item no.	Specification	Quantity
FHP01	1	G3/4" pole 30cm	1
FHBHD01	2	Explosion proof junction box	1

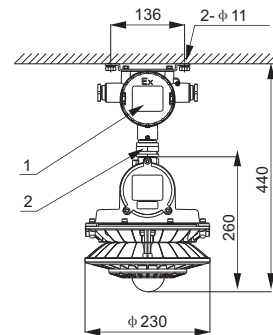
Accessories order information (Wall mounting 150°)

Ordering reference	Item no.	Specification	Quantity
FHP03	1	Expansion screw hook	1
	2	Chain	1
	3	C-C turn buckle	1
	4	G3/4" bend pipe 150Degree	1
FHBHD01	5	Explosion proof junction box	1

Wall mounting 90°



Ceiling mounting



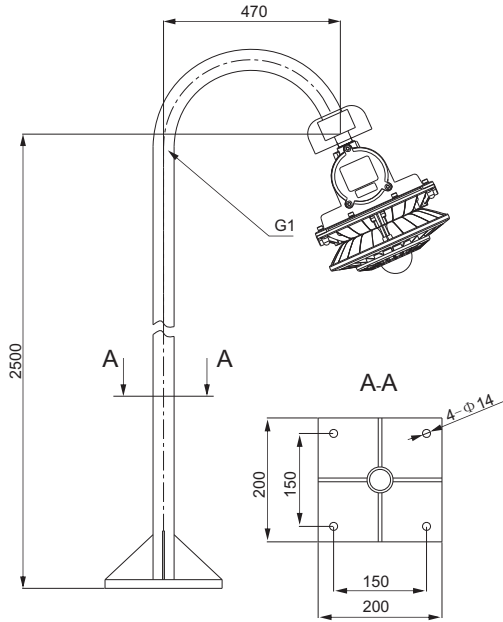
Accessories order information (Wall mounting 90°)

Ordering reference	Item no.	Specification	Quantity
FHP04	1	Expansion screw hook	1
	2	Chain	1
	3	C-C turn buckle	1
	4	G3/4" bend pipe 90Degree	1
FHBHD01	5	Explosion proof junction box	1

Accessories order information (Ceiling mounting)

Ordering reference	Item no.	Specification	Quantity
FHBHD01	1	Explosion proof junction box	1
FHP02	2	Adapter G3/4"(female - male)	1

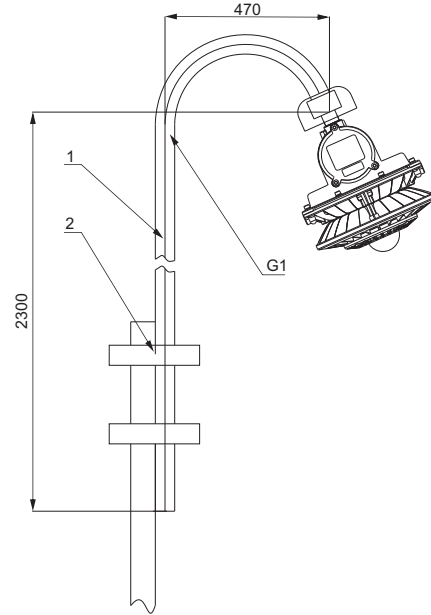
Flange mounting



Accessories order information (Flange mounting)

Ordering reference	Item no.	Specification	Quantity
FHP06	1	Flange pole	1

Guardrail mounting



Accessories order information (Guardrail mounting)

Ordering reference	Item no.	Specification	Quantity
FHP05	1	Fence pole	1
	2	U type bolts	2

