

# FHC9306AS/BS LED Explosión Proof Emergency Light (bracket)



Ex mark: Ex d e IIC T6/T5 Gb  
Ex tb IIIC T80°C/T95°C Db, IP66

## Application

- Ideal to be used in the oilfield, chemical industry, offshore drilling platform, steel industry, petroleum etc.
- Gas explosive environment: Group IIA, IIB, IIC.
- Zone 1, zone 2; zone 21, zone 22.



## Characteristics

- It is made using a special aluminum housing, highly corrosive environment of offshore platforms, chlor-alkali, vulcanization cyanide a full range of high conductivity material accelerate convection cooling structure, effective guarantee long-term use in high temperature environments.
- variety of light distribution, variety of installation types, an effective solution to beautify workshop and device platform.
- The shell is made of high-tech surface coating technology, corrosion resistant, waterproof and dustproof, suitable for harsh environments.
- Imported light chip, high luminous efficiency, low-light failure, reliability ranking first in the same light source.
- Taiwan Meanwell power supply or same quality power supply, power factor above 0.98, high reliability and long time Life time .. Independent wiring chamber, safe and easy installation and maintenance.
- All exposed fasteners adopt 304 stainless steel.
- Type A: usually can be used for 24 hours lighting lamps and lanterns to use, when the accident to provide emergency lighting; type B : accident to provide emergency lighting.
- B type A type with manual emergency function.

## Main Specification

Item	Technical Parameters
Input voltage (V)	90~264VAC
Rated frequency	50Hz / 60Hz
Light source	LED
CRI (Ra)	70 (80 optional)
Life time (h)	50,000
CCT	4000K(3000K/5000K optional)
Cable entry	M20×1.5, M25×1.5, NPT3/4", NPT1/2", G3/4"
Leading-in cable diameter	φ 6mm~ φ 12mm
Terminals	Multi core: ≤2.5mm <sup>2</sup>
	Single core: ≤4mm <sup>2</sup>
Time of charging (h)	>6
Rated capacity	2.6Ah / 14.8V
Dimension (mm)	245×260×270
Net weight (kg)	4.9



# FHC9306AS/BS LED Explosión Proof Emergency Light (bracket)



## Ordering Reference

Ordering reference	Picture	Rated wattage (W)	Emergency wattage (W)	Emergency duration (min)	Emergency light output (lm)	Light distribution curve(1000cd/lm)	Space height ratio	Equivalent to
								MH
FHC9306AS-L40-15-60°×80°		40W	15W	120min	1800		1.25	100W / 35W
FHC9306AS-L40-25-60°×80°		40W	25W	70min	3300			100W / 70W
FHC9306AS-L40-15-90°×110°		40W	15W	120min	1700		1.75	100W / 35W
FHC9306AS-L40-25-90°×110°		40W	25W	70min	3100			100W / 70W
FHC9306AS-L40-15-200°		40W	15W	120min	1400		1.75	100W / 35W
FHC9306AS-L40-25-200°		40W	25W	70min	2400			100W / 70W
<b>Auto Emergency</b>								
BC9306BS-L15-60°×80°		/	15W	120min	1800		1.25	35W
FHC9306BS-L25-60°×80°		/	25W	70min	3300			70W
FHC9306BS-L15-90°×110°		/	15W	120min	1700		1.75	35W
FHC9306BS-L25-90°×110°		/	25W	70min	3100			70W
FHC9306BS-L15-200°		/	15W	120min	1400		1.75	35W
FHC9306BS-L25-200°		/	25W	70min	2600			70W

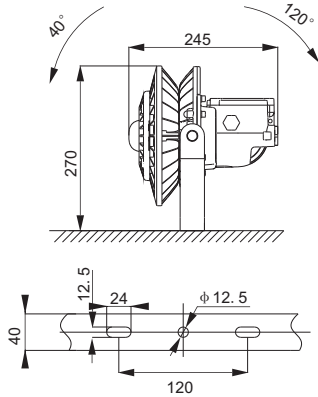


# FHC9306AS/BS LED Explosión Proof Emergency Light (bracket)

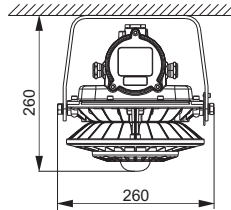


## Drawing of Dimension (Dimensions in mm)

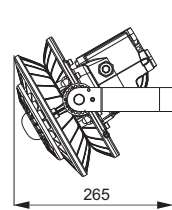
**Seat mounting**



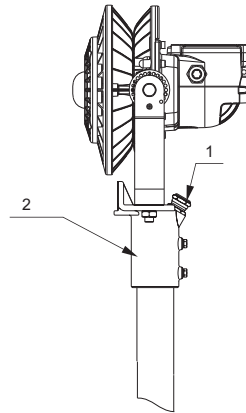
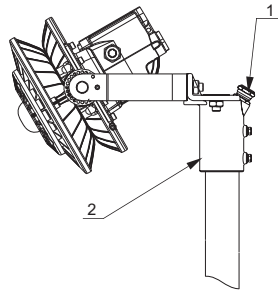
**Ceiling mounting**



**Side wall mounting**



**Pole mounting**



### Accessories ordering information(optional)

Ordering reference	Item no	Specification	Quantity	Note
FHP07	1	Water proof plug M20	1	φ 8~ φ 12mm cable
	2	Vertical mounting pole	1	φ 40~ φ 50mm pole

