

FHC9700 series High Power LED Explosion Proof Light



Ex marking: Ex db IIC T5/T4/T3 Gb
Ex tb IIIC T95°C/T130°C/T195°C Db

Application

- Zone 1, zone 2; zone 21, zone 22
- Suitable for Low installation height in Moist corrosive environment, such as offshore drilling platform, Oil Terminal, etc.
- Ideal to be used in the environment of flammable gas, steam and dust environment, such as Petrochemical Plant, Chemical Plant, Coal Washery, Pharmaceutical Factory, etc.
- Areas for high demand of high temperature performance.



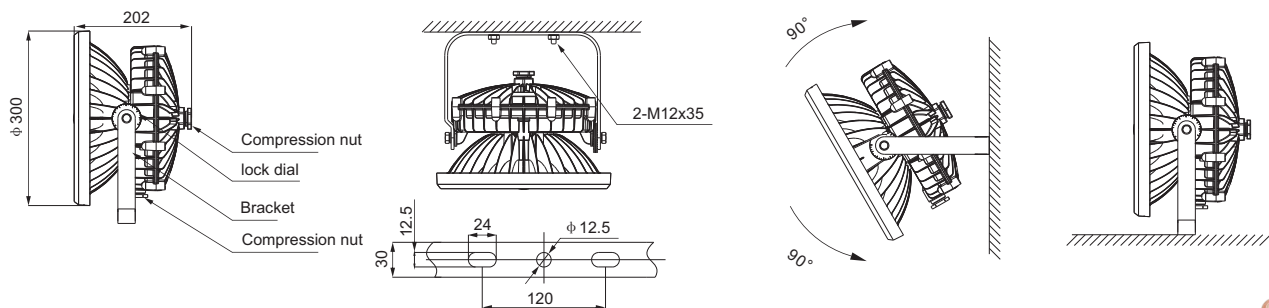
Characteristics

- A full range of high conductivity material accelerate convection cooling structure, effective guarantee long-term use in high temperature environments.
- Variety of light distribution, variety of installation types, an effective solution to beautify workshop and device platform.
- It adopts imported light source, no dark spot, energy-saving is 60% more than Metal Halide Lamp.
- AC-DC wide voltage driver, power factor above 0.98.
- The rapid replacement of power without welding can be realized.
- The adjustable locking device on the bracket can tightly fix the lamp to any desired angle, making the lamp resist to harsh vibration.
- It is made using aluminum housing, all exposed fasteners adopt 304 stainless steel. Using high-tech anti-corrosion surface treatment technology, suitable for hazardous working areas.
- Windward area is only 30% of the traditional lamp, suitable for high-altitude winds area.
- Intelligent control functions can be realized.

Main Specification

Item	Technical Parameters
Input voltage (V)	90~305VAC
Rated frequency	50Hz / 60Hz
Light source	LED
Life time (h)	50,000
CRI (Ra)	70 (80 optional)
CCT	5000K(3000K/4000K optional)
Cable Entry	M20×1.5, M25×1.5, G3/4", NPT1/2", NPT3/4"
Dimension (mm)	300×202×332
Net weight (kg)	6.3

Drawing of dimension (Dimensions in mm)



Installation dimensions

Standard



FHC9700 series High Power LED Explosion Proof Light



Ordering Reference

Ordering reference	Picture	Rated Wattage (W)	Light output (lm)	Space height ratio	Mounting height (m)	Light distribution Curve(1000cd/lm)	Equivalent to MH
FHC9700-L60-40°		60W	6600	0.7	8~12m		150W
FHC9700-L80-40°		80W	8600				175W
FHC9700-L100-40°		100W	11200				250W
FHC9700-L120-40°		120W	12900				> 250W
FHC9700-L150-40°		150W	15600				400W
FHC9700-L180-40°		180W	16800		10~20m		> 400W
FHC9700-L60-60°		60W	6600	0.9	8~12m		150W
FHC9700-L80-60°		80W	8600				175W
FHC9700-L100-60°		100W	11200				250W
FHC9700-L120-60°		120W	12900				> 250W
FHC9700-L150-60°		150W	15500				400W
FHC9700-L200-60°		200W	21900		10~20m		> 400W
FHC9700-L60-80°		60W	6800	1.35	8~12m		150W
FHC9700-L80-80°		80W	8800				175W
FHC9700-L100-80°		100W	11500				250W
FHC9700-L120-80°		120W	13200				> 250W
FHC9700-L150-80°		150W	15900				400W
FHC9700-L200-80°		200W	22300		10~15m		> 400W
FHC9700-L60-100°		60W	6800	1.4	8~12m		150W
FHC9700-L80-100°		80W	8900				175W
FHC9700-L100-100°		100W	11600				250W
FHC9700-L120-100°		120W	13400				> 250W
FHC9700-L150-100°		150W	16100				400W
FHC9700-L200-100°		200W	22700		10~15m		> 400W
FHC9700-L60-60°×80°		60W	6800	1.25	8~12m		150W
FHC9700-L80-60°×80°		80W	9000				175W
FHC9700-L100-60°×80°		100W	11800				250W
FHC9700-L120-60°×80°		120W	13600				> 250W
FHC9700-L150-60°×80°		150W	16400				400W
FHC9700-L200-60°×80°		200W	22100		10~15m		> 400W
FHC9700-L60-90°×110°		60W	6600	1.75	8~12m		150W
FHC9700-L80-90°×110°		80W	8400				175W
FHC9700-L100-90°×110°		100W	11000				250W
FHC9700-L120-90°×110°		120W	12600				> 250W
FHC9700-L150-90°×110°		150W	15200				400W
FHC9700-L200-90°×110°		200W	20900		10~15m		> 400W

