

# , Ep ULFD



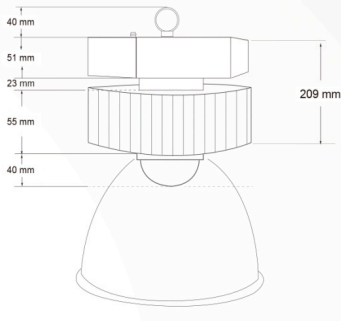
/( ' + LJK % D \



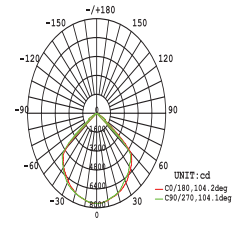
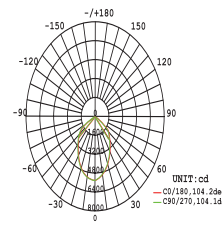
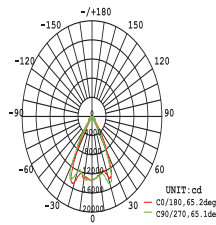
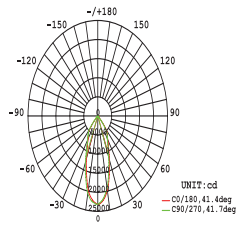
8 QSUHFHGHQWHG RQH LQ LQG X VWULDO / LJKWLQJ  
8QLTXH ([FHOOHQF

0 HFKD QG LFD DLQJ

ZigBee®



3KRWRPHWULFV



6SHFLILFDWLRQ

## Electrical

/( ' 3RZHU :  
6 \ VW RZHU :  
, QSW 9ROWDJH 9 9  
3RZHU XSSO \ ' ULYHU 3KLOLSV ;LWDQLXP  
, QYHQWURQLFV  
3RZHDFWRU ≧  
7 +'

## Optical

/( ' 6RXUFH /XPLOHGV /8; (21  
/( ' (IILFLHQF \ /P Z  
/( ' 47 < SFV SFV  
/XPLQRXQP  
% BPSQJGHIOHFWRUV \$OXPLQXP f f  
3 & f f  
& R O T H P S H U D W X U H  
& 5 , 5 D 5 D 5 D  
/X H O D L Q W H Q D Q F H / % # K R X U V  
6 ' & 0 O D F \$ G B O L S V H <  
2 S W L F B Q V 3 R O \ F D U E R Q D W H

## Control & Dimming

'LPPLQJ Y '\$ ,  
6 Z L W R F K 2 S W L R Q D O  
: L U H O H V V = L J E H H  
' D \ O L V K Q V R U 2 S W L R Q D O  
O R W L V H Q V R U 2 S W L R Q D O  
: L U H O H V V Q V R U 2 S W L R Q D O

## General

: R U N L Q H P S H U D W X U H f & a f &  
) U D H P F R O R U \$ O X P L Q X P  
) U D H P P D W H U L D O \$ O X P L Q X P  
6 X U I D F U H H D W P H Q W \$ Q R G L J L Q J  
\$ F F H V V R U L H V + D Q J L Q J U L Q J  
, Q V W D O D D W L R Q Z F H L O L Q J  
/ L H 6 S D Q K U V  
: D U U D Q W \ \ H D U V  
1 H W H L J K M J  
\* U R V N L J K M J S F V F W Q  
3 D F N V Q J P P

## Certificate & protection

, , O D V V , ,  
' P D U N < H V  
, 3 S U R W H F W L R Q , 3 , 3  
6 X U 3 H U R W H F W L R Q N Y N Y  
& H U W L I L F D W H & ( 6 \$ \$ 1 ( & %

B B B B B B B B