

# LED WALL WASHER

ITEM NO.: R180/210A Series

## INSTRUCTION OF LED WALL WASHER/R180/210A

This product is mainly used for decorating and highlighting in building frame, garden, etc. It can project 15-20m. It can work in independent mode and DMX mode, which can generate various color changing effects, such as flashing, fading, steady, seven color jumping synchronously etc. DMX256 class gray degree dimmer, DMX programabl(thousands of effects available if many lights being connected together); **LFL series is single steady color without any DMX control.**

\*\*\*The manual is based on the LWW series, please skip B&C parts when it is LFL series.

### A. Specification

#### A-1. Structure

Materials of Shell: Aluminum alloy  
 Rotary angle: 150°(Vertical)  
 Input Voltage: 100V-240V AC  
 Operating Voltage: 24V DC  
 Protecting Rating: IP65  
 Operating Temperature: -20°C~40°C



R180A-18P

R210A -36P

#### A-2. Model Configuration Table

Model No.	LED Color	LED Quantity	Power Consumption	Beam Angle	Size	Weight	✓
R180A -18P	R, G, B/WW/NW/W	18	20 WATTS	10°/20°/45°/15°x50°	D170xH181mm	2.35kg±5%	
R210A -36P	R, G, B/WW/NW/W	36	36 WATTS	10°/20°/45°/15°x50°	D210xH194mm	3.17kg±5%	

### B. Working Mode

B-1. Independent Mode: Choose the build-in programs via the buttons on the back of the head

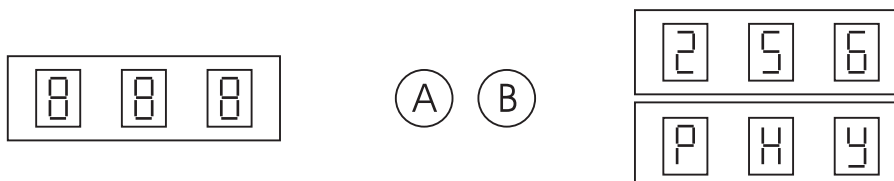
B-2. DMX Mode: International standard DMX512 signal. (XLR-3)

B-3. Master/Slave Mode: Auto online and synchro working.

### C. Function & Setup

#### C-1. Independent mode

After pressing **A** four times (the first three times is the setup on DMX address) or **B** directly, light enter into independent mode; the digital LEDs show **PXY**, press A once, active digital LEDs move backward, you can choose function via **X** and parameter via **Y**; Press **B**, the corresponding flash digital LED increases one bit (range: 1~9).



**X** refers to functions (the value between 1 to c), **Y** refers to value of speed and gray degree for the functions (the value between 1 to 9). When pressing button, please wait for about 10 sec, then you can exit the mode of adjustment function, the digital LED stop flashing and data recorded.

# LED WALL WASHER

ITEM NO.: R180/210A Series

X value	Y value
1-static red	1~9 class gray degree
2-static green	1~9 class gray degree
3-static yellow	1~9 class gray degree
4-static blue	1~9 class gray degree
5-static purple	1~9 class gray degree
6-static cyan	1~9 class gray degree

X value	Y value
7-staic white	1~9 class gray degree
8-multicolor changing	1~9 class speed
9-single fading	1~9 class speed
A-multicolor fading	1~9 class speed
B-multicolor flashing	1~9 class speed
C-autorun	1~9 times circle

## C-2. DMX Mode

### 1. DMX Addressing

When the digital LED is not flashing,press **A**,digital LED begin to flash,press **A** once, active digital LEDs moves backward,you can start to edit the second digital LED;Press **B**, the corresponding flash digital LED increase one bit (the values between 1 to 9).

### 2. DMX Channel instruction-3 Channels available as sheet:

CHANNEL 1		CHANNEL 2		CHANNEL 3	
Data	Function	Data	Function	Data	Function
0~255	Brightness of Red	0~255	Brightness of Green	0~255	Brightness of Blue

\*\*\*Enter or quit DMX mode automatically once detecting valid signal!!!

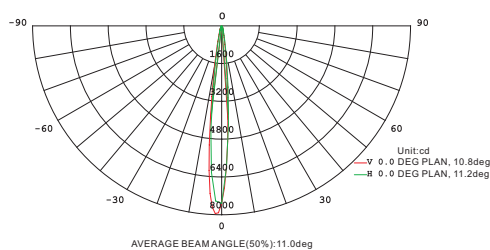
## C-3. Master/Slave Mode

Choose any one light as the master for attaining auto online function,the operations are as below: firstly,set the address of master as 001,others are set as slave (address can be any one except 001); Change function of the master (001) light,then all lights will work synchronously;

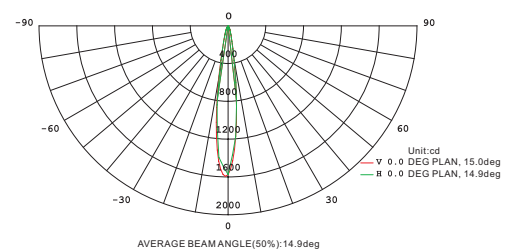
## D.Photometrics Parameters

### D-1. Cadela Distribution

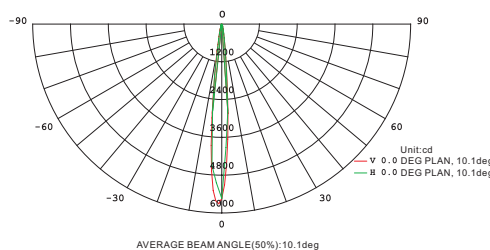
R180A -18P Beam Angle:10°



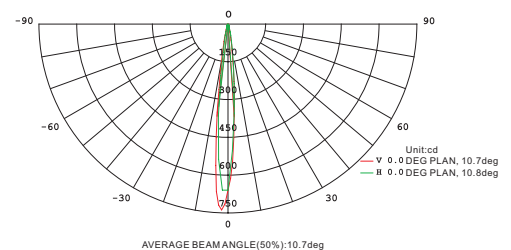
RGB



Red



Green



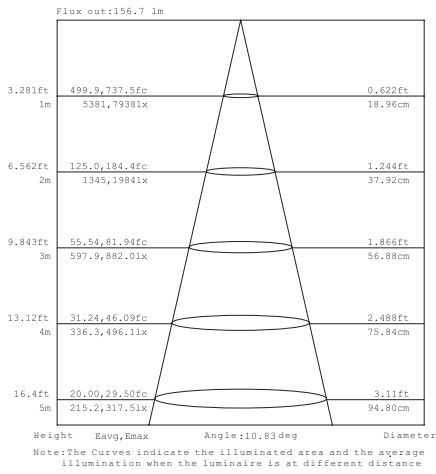
Blue

### D-2. Illuminance At A Distance

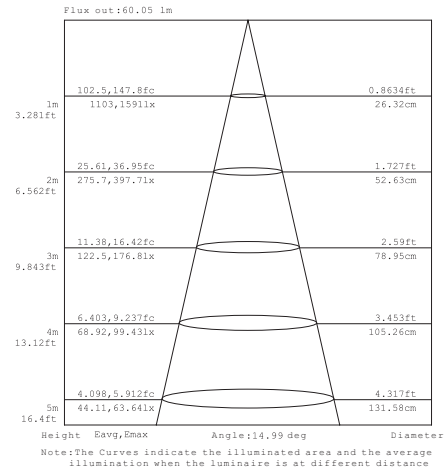
# LED WALL WASHER

ITEM NO.: R180/210A Series

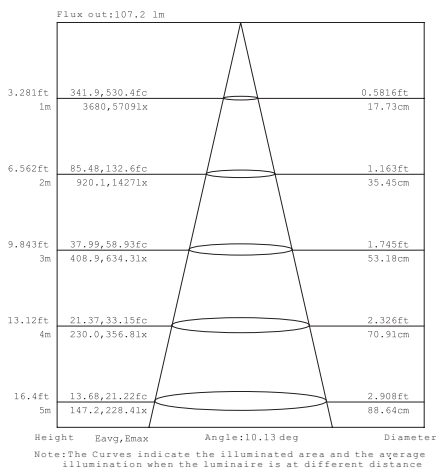
## R180A -18P Beam Angle:10°



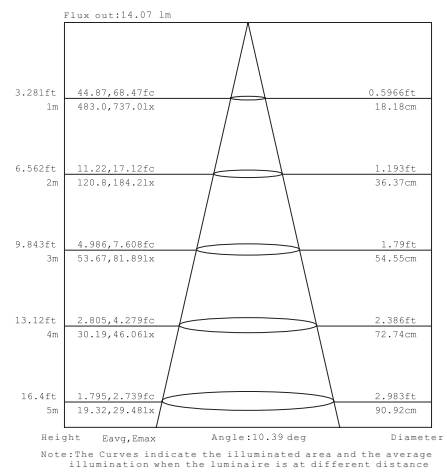
RGB



Red

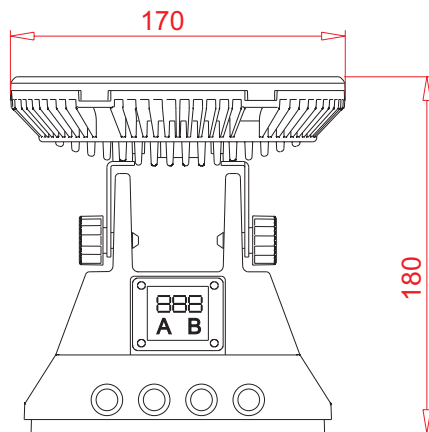


Green

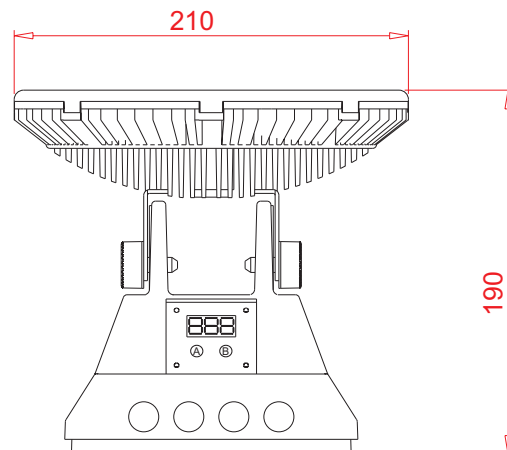


Blue

## E. Dimension Drawing



R180A -18P



R210A -36P

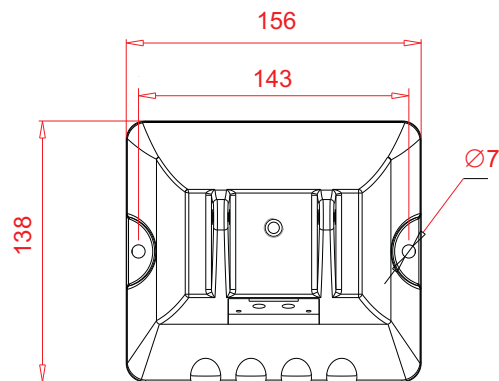
# LED WALL WASHER

ITEM NO.: R180/210A Series

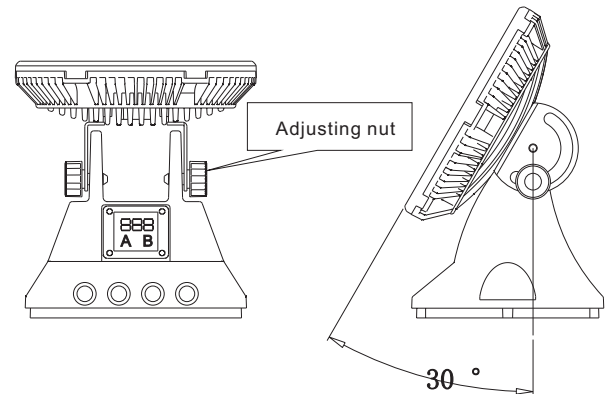
## F. Installation Drawing

F-1. Fix the brackets via M6 blast screw, mounting size as below:

F-2. Handling instruction: unscrew the adjusting nut to adjust the angle of light head.



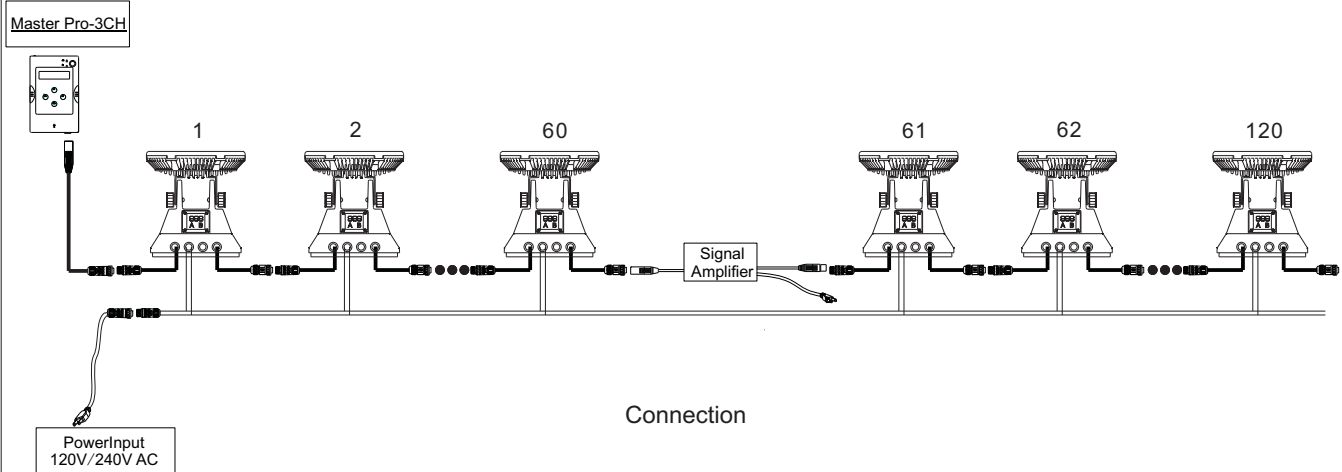
R180/210A base



## G. Connection

G-1. Signal max connection is 100m, every 100m or 60pcs fixtures needs a signal amplifier.

G-2. Optional controller: Master Pro-3CH, Sunlite, DMX-192C, Madrix and other DMX controllers.

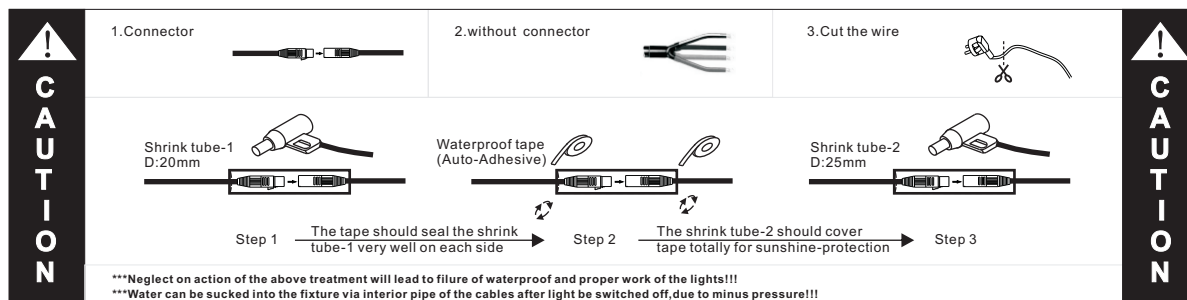


## H. Waterproof Treatment

The signal output connector XLR-3 of the last fixture of each series must be sealed with a 20mm thermal shrinking tube(-1), blow and shrink it with a hair driers; thence wrapped with waterproof tape (auto-adhesive, please refer to below instruction for operation) on both side; Blow the second 25mm shrink tube(-2) at last so as to protect waterproof tape under sunshine and guarantee the waterproof validity.

# LED WALL WASHER

ITEM NO.: R180/210A Series



\*\*\* Power connector should be treated in the same way if available!!!

\*\*\* IP68 connector does not require above treatment, but you connect a threaded twist quite well to prevent operational errors lead to joint water

### Caution:

1. Do not plug them into power when the product is still in package;
2. Don't use anything to cover the fixture during application;
3. Don't use this product in close environment;
4. If this product appears to be damaged, do not attempt any repair, please contact your dealer.

### Warning:

- \* Neglect on action of the above treatment will lead to failure of waterproof and proper working of the lights!!!
- \* Make sure the ground connection well avoid electric shock, due to metal housing.
- \* Don't cut out the updated IP68 connectors, or any failure caused must be born by buyers.

**Note:** The above instruction are subject to update or improved without notice.Pls turn to our staff for further details !  
 Thanks for your long term support !

Product .By. FH Solar & Led Ibérica



www.fhsolarled.com | info@fhsolarled.com

México .Colombia. Ecuador. España