

RESU

Data sheet for RESU10H type-C



Su proveedor LG .
By. FH Solar & Led **Ibérica** .S.L
Núñez Morgado 5 Madrid 28036
Tel : +34 91323534 +34 6000 27027
info@fhsolarled.com
www.fhsolarled.com
España



RESU10H type-C

Electrical Characteristics

Total Energy Capacity ¹⁾	9.8 kWh @25°C (77°F), Beginning of Life	
Usable Energy Capacity ¹⁾	9.3 kWh @25°C (77°F)	
Battery Capacity	63 Ah	
Voltage Range	Charge	468 to 550 V _{DC}
	Discharge	430 to 507 V _{DC}
Absolute Max. Voltage	570 V _{DC}	
Max. Charge/Discharge Current	10.7A@467V / 11.7A@427V	
Max. Charge/Discharge Power ²⁾	5kW	
Peak Power (only discharging) ³⁾	7kW for 10 sec.	
Peak Current (only discharging)	16.3A@430V for 10 sec.	
Communication Interface	CAN	
DC Disconnect	Circuit Breaker, 25A, 600V rating	
Connection Method	Spring Type Connector	
User interface	LEDs for Normal and Fault operation	

Operating Conditions

Installation Location	Indoor / Outdoor (Wall-Mounted)	
Operating Temperature	14 to 113°F (-10 to 45°C)	
Operating Temperature (Recommended)	59 to 86°F (15 to 30°C)	
Storage Temperature	-22 to 131°F (-30 to 55°C)	
Humidity	5% to 95%	
Altitude	Max. 6,562ft (2,000m)	
Cooling Strategy	Natural Convection	
Noise Emission	< 40 dBA	

Certification

Safety	Cell	UL1642
	Battery Pack	UL1973 / CE / RCM / TUV (IEC 62619)
Emissions	FCC	
Hazardous Materials Classification	Class 9	
Transportation	UN38.3 (UNDOT)	
Ingress Rating	IP55	

※ Test Conditions - Temperature 25°C, at the beginning of life

※ Total Energy is measured under specific condition from LGC(0.3CCCV/0.3CC)

1) Value for Battery Cell Only (Depth of Discharge 95%). Actual usable energy at the AC output may vary by condition, such as battery converter, inverter efficiency and temperature.

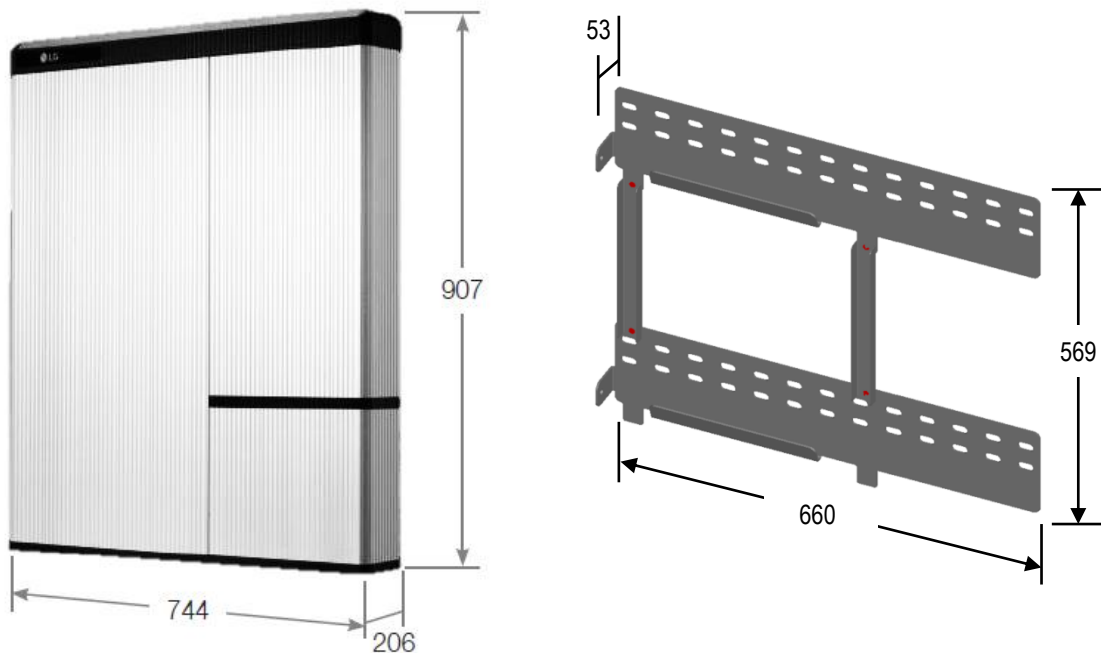
2) LG Chem recommends 3.3kW for maximum battery lifetime

3) Peak Current excludes repeated short duration (less than 10 sec. of current pattern).

RESU10H type-C

Features

- Emergency Power Back-up
- Compact size and space saving
- Matched with SMA Sunny Boy Storage models
- Wall mounting installation
- Proven Safety and 10 year warranty



Mechanical Characteristics

Dimensions	Width	744 mm (29.3")
	Height	907 mm (35.7")
	Depth	206 mm (8.1")
Weight		97 kg (214lbs)

