

iHEM

Dark Sky Friendly

Solar Post Top Light



IHEM

Dark Sky Friendly

Solar Post Top Light



- Dual Color Switchable High
- luminous efficiency Motion
- SensorMo
- Dark Sky Friendly

IHEM

Dark Sky Friendly

Solar Post Top Light



Introducing the IHEM solar post top light, offering a new and futuristic design. Developed for our environment to protect native animals from blue-light harm and the unwanted glare of led lights. With a UWLR of <math><1\%</math> of the lighting distribution, the fitting provides an even lighting performance without light pollution. Simply put, IHEM creates wildlife-friendly lighting for our environment. The combination of a MONO solar panel, and LiFePO4 battery, and a high-charging efficiency 96% MPPT solar charge controller provides an ultra-bright output of 190lm/W with the lowest lighting power setting. The designed lifetime is up to 10 years without any maintenance.

The lighting output power and working period as well as color temperature are client-programmable to ensure the fitting will perform well to your satisfaction. No matter in the middle east with plenty of sunshine or in north Europe with less sunshine, IHEM is able to perform well with constant lighting brightness and sufficient time. The custom unique programming of IHEM will ensure stable, continuous illumination through the night through all seasons.

The IHEM is popular for gardens, parks, walk paths, and bicycle lanes to light up anywhere with the best lighting performance.



IHEM

Dark Sky Friendly

Solar Post Top Light



Lighting Performance

Item number	IHEM FHI-GL590R
Luminous flux	2,800lm max
Peak LED power	18W
CRI	>80
LED type	SMD2835 84pcs
CCT range (dual color)	2200K+3000K / 3000K+4000K / 3000K+6000K
LED lifetime	>100,000 hours

LiFePO4 Battery

Battery type	Brand new LifePO4 32700 6000mA 3.2V
Battery capacity	154WH 12.8V
Battery lifetime	6000 cycles @ D.O.D 80%
Charge Time	4 hours
Discharge time	>24 hours
Working temp.	-15°C ~ 70°C
Battery autonomy	2 - 3 days, 3~5 days in motion detection mode

Control System

Control method	Automatic dusk to dawn
Solar charge controller	MPPT controller
Charging efficiency	>97%
Remote type	2.4G radio
Operation distance	up to 30 meters
Sensor type	PIR motion sensor
Grouping function	Yes
CCT changeable	Yes
LED power changeable	Yes
Time changeable	Yes
Working mode changeable	Yes



IHEM

Dark Sky Friendly

Solar Post Top Light



Solar Panel

Peak Power	38W
Rated Voltage	18V
Cell Type	MONO crystallinesilicion
Cell Efficiency (%)	>22.5%
Lifetime	>20 years
Waranty	5 years



Fixture & Packing

Light dimension	φ590 * H550mm
Materials	Aluminium die casting + tempered glass
IP & IK Rate	IP65 IK10
Fixture color	Black RAL9011 / Anthracite grey RAL 7016
Pole diameter to fit	76mm
Package size	62*62*25cm
N.W/Light	11.80KG
G.W/Light	12.60KG
Certificates	CB CE ROHS IP65 LM79 LM80, MSDS UN3.8
Warranty	5 years

Remark : CCT of 3000 K or lower is required for IDA certification compliance.



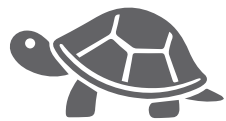
IHEM

Dark Sky Friendly

Solar Post Top Light



Product Feature



Wild animals friendly
without lighting
pollution



MATCH

Lights can be
grouped by remote
control



2.4G remote signals is
more stable
performance



4H / 6H / 12H optional
changeable by remote



Green energy from the sun
never pay electricity bill



Dual CCT is changeable
between 3000K and 4000K



6000 cycles brand new
LifePO4 battery unit



Sensitive PIR
motion sensor can
be ON/OFF



ON - OFF

Dusk to Dawn
automatically ON/
OFF



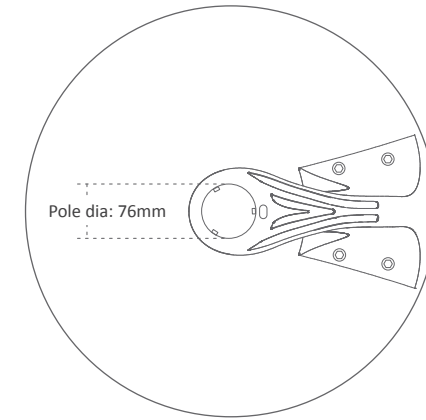
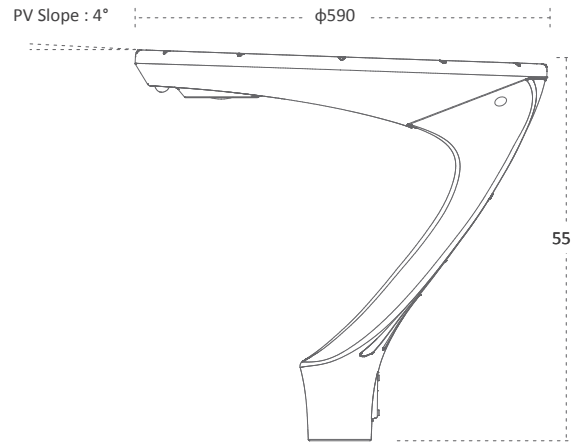
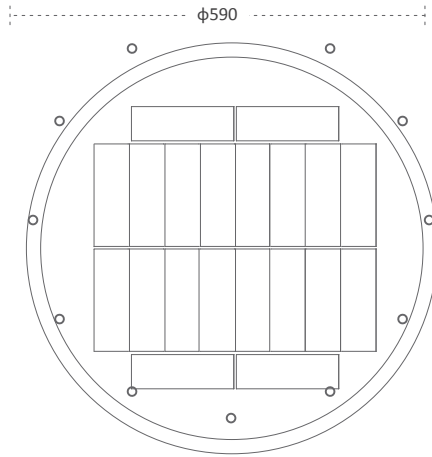
IHEM

Dark Sky Friendly

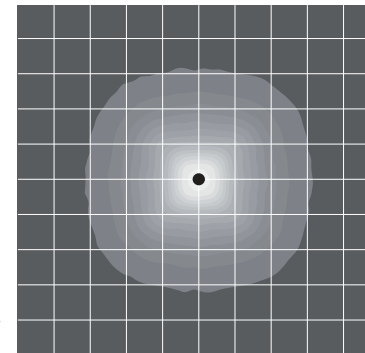
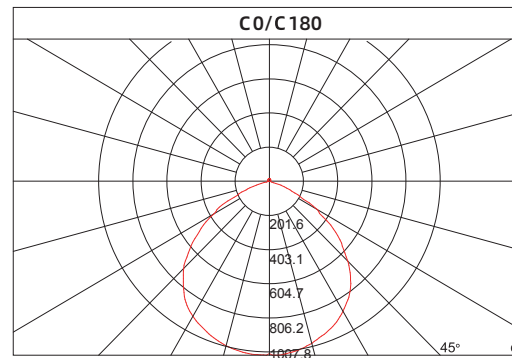
Solar Post Top Light



Fixture Dimension (mm)



Lighting Performance



THEM

Dark Sky Friendly

Solar Post Top Light



Assembling & Package

THEM adopts a detachable structure design which is simple and but very strong and reliable, It makes the assembly much simpler while minimizing the packaging volume. The light body and the bracket only need to be fixed together with 4pcs M8 screws, and then push the builtin button, then no other additional operations are required. Simple is the best.



IHEM

Dark Sky Friendly

Solar Post Top Light



INTERNATIONAL OFFICES FH SOLAR & LED IBERICA

FH SOLAR & LED IBERICA S.L

Central office
Calle Serrano 110 Planta 1ª
28006 Madrid
Tel.+34 913235993
Mv.+34 600027027
info@fhsolarled.com
Spain .Latam

FH SOLAR & LED MEXICO S.A DE C.V

Montecito 38
Col. Nápoles 03810
Tel.+52 (55)36888031
Tel.+52 (55)84217977
WhatsApp:+52 5511599589
Ciudad De México
info@fhsolarled.com
México

FH SOLAR & LED IBERICA S.A.S

Carrera 27 N° 30-16
Tel.: +57(2) 2253517
Cel:+57 3009293667
WhatsApp: +34 600027027
Tulua , Valle del Cauca
comercial@fhsolarled.com
Colombia