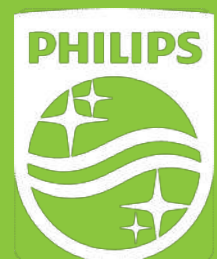


MAX

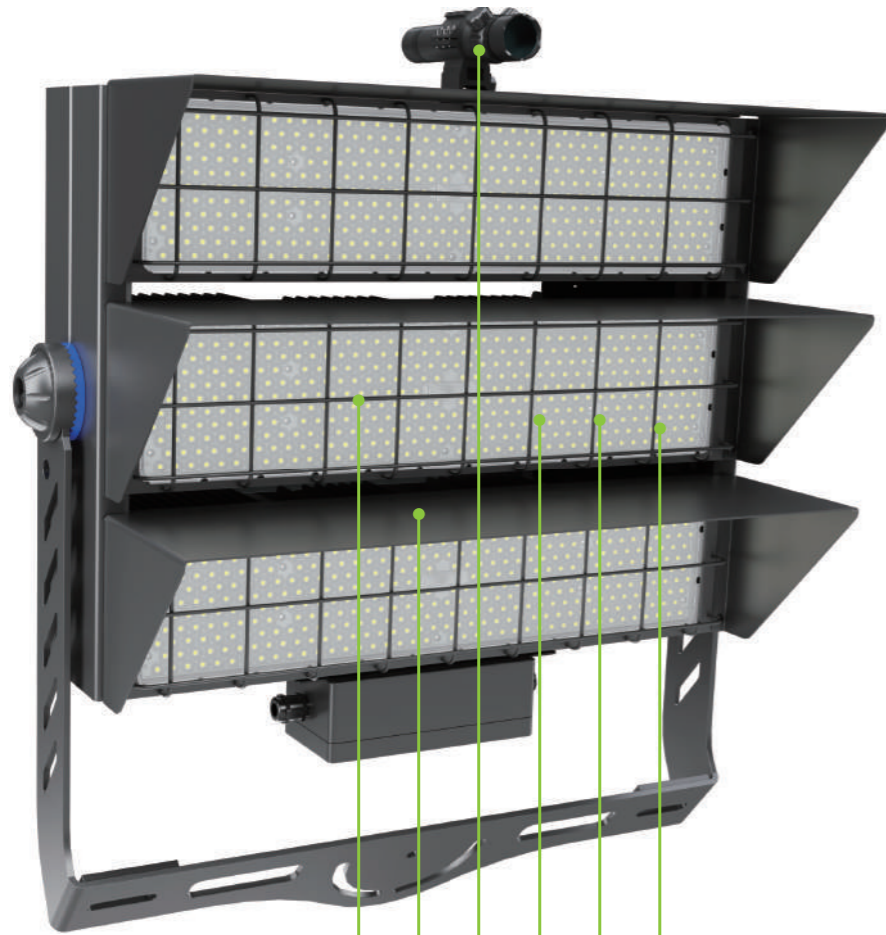
FLOOD LIGHT



MW inventronics
MEAN WELL



Max LED Sports & High Mast Light



Wire Guard (Optional)

Wire guard provides protection for stadium lights, preventing physical damage and ensuring safe operation.

Visor (Optional)

Efficiently manage spill light and upward illumination to prevent light pollution.

Aiming Device (Optional)

Incorporating an optional laser pointer, it enables precise targeting and on-site installation.

Optic Lens

Using the **Japanese brand TEIJIN's** PC material, UV-resistant, and boast high mechanical strength.

High Brightness LEDs

High luminous efficacy up to 185lm/W, high CRI and TLCI , Ra>70, >80, TLCI>90.

Tempered Glass (Optional)

4mm high strength tempered glass, further reduces the UV and anti-rust, typically designed for coastal areas.

Top Brand LED Driver

Equipped with top brand LED driver: Mean Well . Inventronics or Sosen, ensure the performance and reliability.

Terminal Box

Die-cast aluminum ensures corrosion resistance, waterproofing, ease of maintenance, and protection for wire joints.

Turntable

The bracket includes a turntable, eliminating the need for a separate rotating mount on the light pole.

Strong Bracket

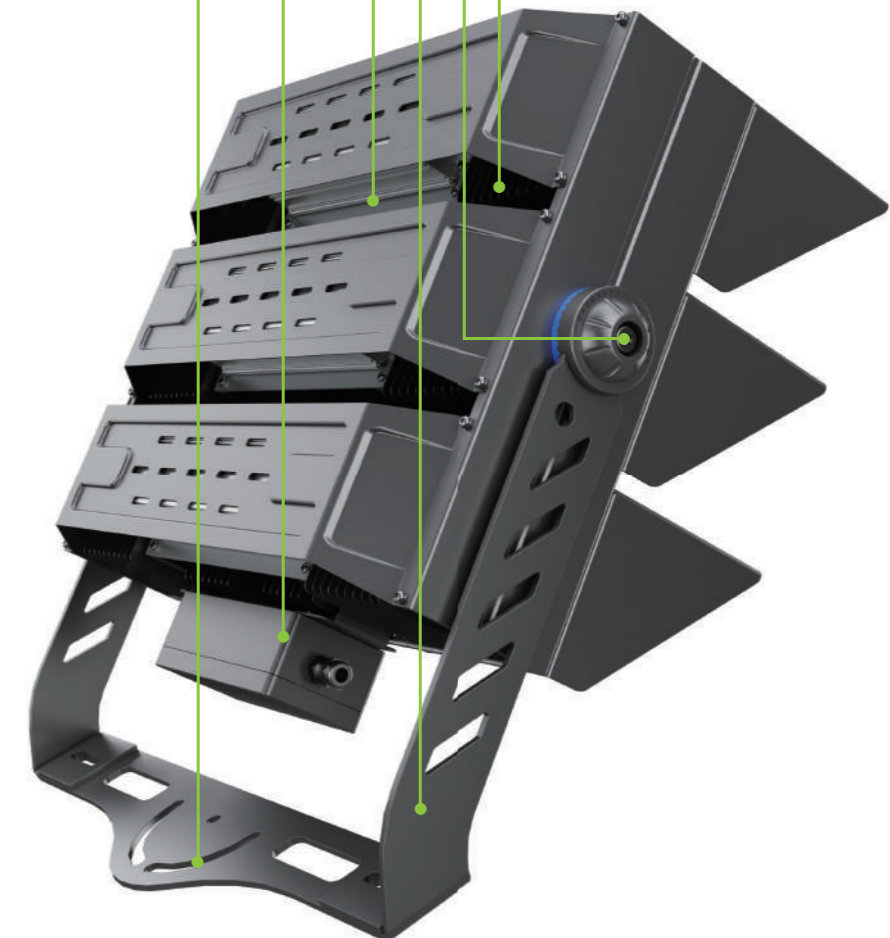
Integrated bracket with hem design ensure the mechanical strength, galvanized treatment for anti-rust.


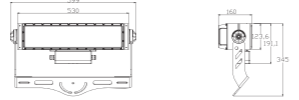

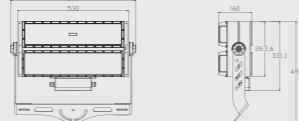

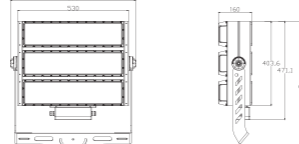

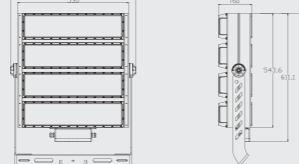

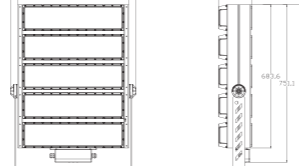

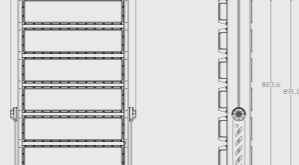
Rotating Shaft

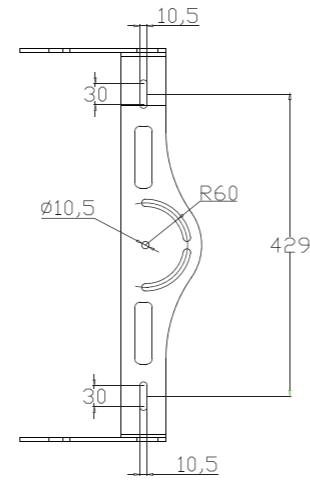
Each adjustment is 10°, allowing for a total installation adjustment of 270°

Finned Heat Sink

Finned heat sinks optimize cooling, extend LED lifespan, and reduce maintenance costs.



Model	Picture	Dimension
FHMX-FL09-250 FHMX-FL09-300 1 LED Module		
FHMX-FL09-500 FHMX-FL09-600 2 LED Modules		
FHMX-FL09-750 FHMX-FL09-900 3 LED Modules		
FHMX-FL09-1000 FHMX-FL09-1200 4 LED Modules		
FHMX-FL09-1250 FHMX-FL09-1500 5 LED Modules		
FHMX-FL09-1500 FHMX-FL09-1800 6 LED Modules		



300W /Module

Model No	FHMX-FL09-300	FHMX-FL09-600	FHMX-FL09-900	FHMX-FL09-1200	FHMX-FL09-1500	FHMX-FL09-1800
Nominal Wattage	300W	600W	900W	1200W	1500W	1800W
Efficiency	155lm /w	155lm /w	155lm /w	155lm /w	155lm /w	155lm /w
Lumen	46500lm	93000lm	139500lm	186000lm	232500lm	279000lm

250W /Module

Model No	FHMX-FL09-250	FHMX-FL09-500	FHMX-FL09-750	FHMX-FL09-1000	FHMX-FL09-1250	FHMX-FL09-1500
Nominal Wattage	250W	500W	750W	1000W	1250W	1500W
Efficiency	165lm /w	165lm /w	165lm /w	165lm /w	165lm /w	165lm /w
Lumen	41250lm	82500lm	123750lm	165000lm	206250lm	247500lm

-Above values are calculated based on the product with CCT over 3000K, values of 3000K are 5% lower than above values.
-Values shown are subject to ±5% tolerance.

Fixture Information

Module No	Dimension	Weight
1	599 x345 x160mm	7.0kgs
2	599 x485 x160mm	14.9kgs
3	599 x625 x160mm	21.0kgs
4	599 x765 x160mm	24.3kgs
5	599 x905 x160mm	29.3kgs
6	599 x1045 x160mm	37.0kgs

Package Information

Module No	Dimension	Weight
1	625 x415 x235mm	8.0kgs
2	625 x555 x235mm	17.0kgs
3	625 x695 x235mm	22.0kgs
4	625 x835 x235mm	26.5kgs
5	625 x975 x235mm	32.0kgs
6	625 x1115 x235mm	40.5kgs

Electrical Data

Nominal Voltage	AC 100-240V /277V 50 /60Hz
LED	Philips Lumileds
Driver	Inventronics / Mean Well /Other brands on request
Power Factor (PF)	>0.95
THD	<15
SPD	10KV (Default) / 20KV on request
Optics	15°, 30°, 45°, 60° or Asymmetrical
Standard Deviation of Color Matching	<5 SDCM
CRI	Ra>70 (Default) /Ra>80 or Ra>90 on request
CCT	3000K, 4000K, 5000K, 5700K, 6500K

General Data

Body Material	Stretched Aluminum Alloy
Housing Color	Black (available on request)
Cover Material	Tempered glass or UV-resistant Polycarbonate
Lens Material	UV-resistant Polycarbonate
Working Environment	-40°C ~ +50°C, 10% ~ 90%RH
Lifespan L70 at 25 °C	>100,000 h
Mounting Type	Bracket mounted
Mounting Location	Wall /Pole /Floor /Ceiling
Dimmable	0-10V Dimming (Default) /Timer Dimming
Protection Class	Class I (Default) /Class II
Standards	CE, RoHS, ENEC, CB, LM79, LM80, TM-21, IP66, IK10 pending
Available on request	Photocell, NTC, OLC, DALI Dimming, DMX512, Remote Control