

# FHC9302P

## High Power LED Explosion proof Floodlight



### FHC9302P series



### Characteristics

- Large light surface flexible light output, no glare, no blue light hazard, especially suitable for long-term lighting in a working environment. The translucent cover is made of non-transparent tempered glass, which is extremely resistant to weathering and acid and alkali.
- The shell is made of aluminum alloy, the standard part is made of 304 stainless steel, and the surface is made of high-tech anti-corrosion treatment technology, which is suitable for various harsh industrial environments.
- The luminaire has two access ports, which can be used in parallel as a connection, saving the cost of installing the junction box in the middle. The lamp opening and closing connection design enable single person installation and maintenance, saving labor costs.
- American Lumileds light source, the overall lighting efficiency is as high as 100lm / W, compared with the metal halide lamp energy saving more than 60%.
- The whole lamp protection grade is IP66, which can be applied to various indoor and outdoor sand dust or rain fog and sea wave environment for a long time.

### Application

- Equipment platform, equipment layer area, main and auxiliary workshop, channel, pipeline, joint station, transfer station, pump valve shed, tank, material sample, plank road, warehouse room, warehouse and other places.
- Hazardous Gas Zone 1 and Zone 2
- Dangerous dust Zone 21 and Zone 22



### Main Specification

Rated voltage (V)	100~240VAC/120~270VAC(30~60W)
	20~38VAC/20~48VDC(30~60W)
Rated frequency	50Hz / 60Hz
Light source	LED PHILIPS LUMILED
Life time(h)	50,000h
CCT	5000K(3000K/4000K optional)
Screw thread	G3/4, M20, M25, NPT3/4", NPT1/2
Leading-in cable diameter	φ 9mm~ φ 14mm
Dimension (mm)	φ 240 × 220
Net weight (kg)	5



# FHC9302P High Power LED Explosion proof Floodlight



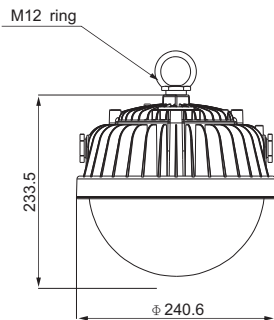
## Ordering Reference

Ordering reference	Picture	Rated wattage (W)	Light output (lm)	Space height ratio	Mounting height(m)	Light distribution curve (1000cd/lm)	Replace to
							Metal halide lamp
FHC9302P-L30-200°		30W	2700	1.75	2~5m		70W
FHC9302P-L40-200°		40W	3600				100W
FHC9302P-L50-200°		50W	4500		100W		
FHC9302P-L60-200°		60W	5600 / 6800		150W		

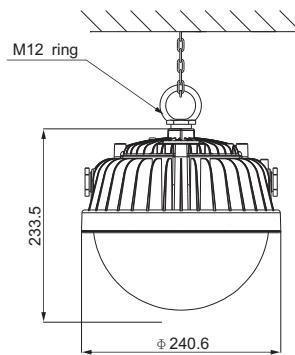
\*The lamp can be matched with a flat lens: 80°

## Drawing of dimension (Dimensions in mm)

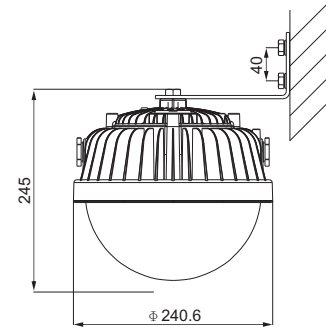
Ring mounting(Customized)



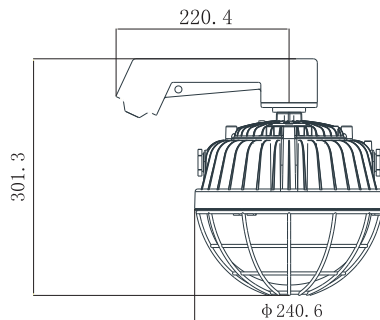
Ring mounted(Standard)



Ring mounted with Chain



Side wall mounted (optional)



Stanchion mounted with Net

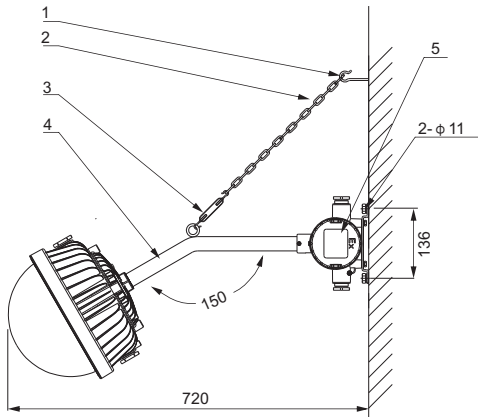


# FHC9302P High Power LED Explosion proof Floodlight

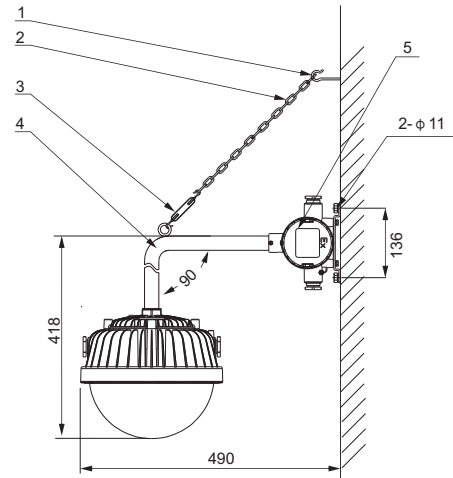


Drawing of dimension (Dimensions in mm)

Wall mounting 150°



Wall mounting 90°



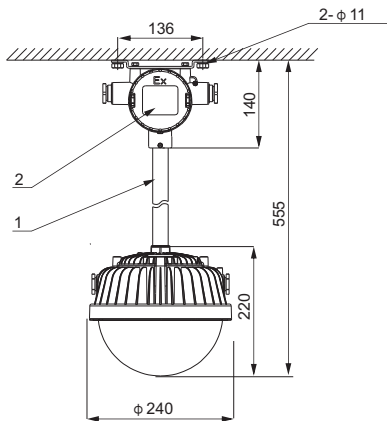
**Accessories list (optional)**

Ordering reference	Item No.	Specification	Qty
P04	1	Expansion screw hook	1
	2	Chain	1
	3	C-C Spiral buckle	1
	4	90° pole with G3/4"	1
BHD01	5	Explosion proof junction box	1

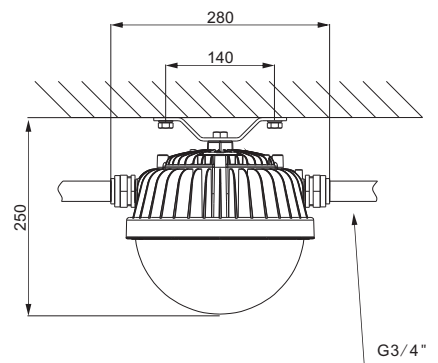
**Accessories list (optional)**

Ordering reference	Item No.	Specification	Qty
P03	1	Expansion screw hook	1
	2	Chain	1
	3	C-C Spiral buckle	1
	4	150° pole with G3/4"	1
BHD01	5	Explosion proof junction box	1

Pole mounting

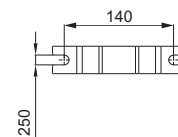


Ceiling mounting



**Accessories list (optional)**

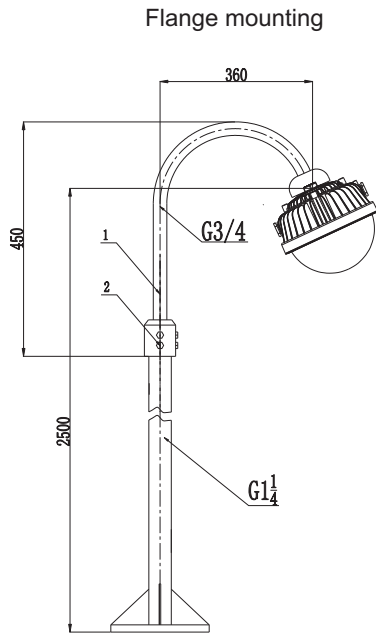
Ordering reference	Item No.	Specification	Qty
P01	1	30cm Pole (G3/4")	1
BHD01	2	Explosion proof junction box	1



# FHC9302P High Power LED Explosion proof Floodlight

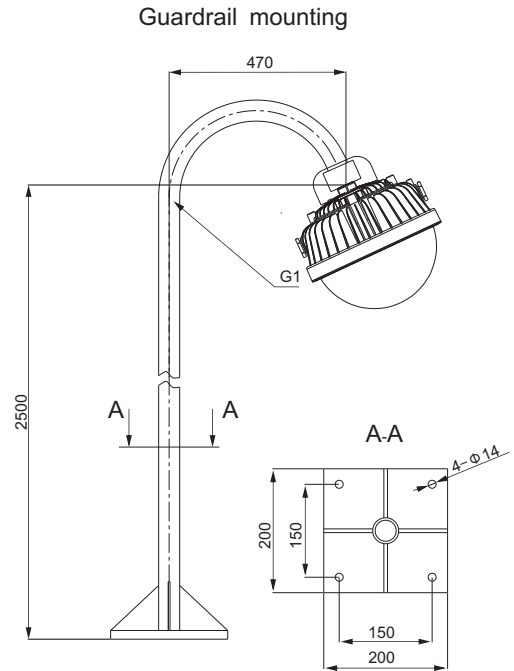


Drawing of dimension (Dimensions in mm)



Accessories list (optional)

Ordering reference	Item No.	Specification	Qty
P05	1	Guardrail light pole	1
	2	Locking screw	4



Accessories list (optional)

Ordering reference	Item No.	Specification	Qty
P06	1	Flange light pole	1



www.fhsolarled.com



FH SOLAR & LED IBERICA S.L.  
Calle Serrano 110 Planta 1ª Madrid 28006  
Tel. +34 913235993 | +34 600027027  
info@fhsolarled.com  
Spain . Colombia . México

