

FHC9304P

Explosion proof LED

High Bay light



FHC9304P series



Ex marking: Ex db eb IIC T6 or T5 or T4 Gb
 Ex tb IIIC T80°C or T95°C or T130°C Db



Application

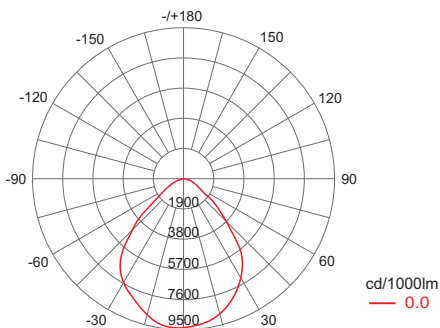
- This product is widely used for work lighting in dangerous places such as petroleum exploration, oil refining, chemical industry, and electric power;
- Applicable to places with high humidity and corrosion protection; Applicable to explosive gas or dust environment in Zone 1, Zone 2 or Zone 21, Zone 22;
- Suitable for IIA, IIB, IIC explosive gas environment; Suitable for temperature group T1~T6/ T5 group; Applicable ambient temperature is -40°C~40°C/55°C.

Characteristics



- The radiator adopts fin structure design, which can be suitable for high temperature and high humidity working environment for a long time;
- A variety of installation methods and the same shape can effectively solve the problem of aesthetic appearance in the same area;
- The lamp adopts international brand light source, no color spots, dark areas, ghosting, etc., the whole light efficiency is as high as approx 120lm/W, which is more than 60% energy-saving compared with the metal halide lamp;
- The power supply adopts first-line brands such as Meanwell and Inventronics, and its reliability and life span rank first in the industry;
- The protection level reaches IP66, which can effectively resist heavy rain;

Light distribution curve



Main Specification

| Item | Technical Parameters |
|---------------------------|---|
| Input voltage | 90~305VAC |
| Rated frequency | 50Hz / 60Hz |
| Rated wattage | 80~150W |
| Light source | LED |
| Life time | 100,000hrs |
| CRI (Ra) | 70 (80 optional) |
| CCT | 5000K (3000K/ 4000K optional) |
| Leading-in cable diameter | Φ 8mm~Φ 12mm (G3/4", M25, NPT3/4") |
| | Φ 6mm~Φ 10mm (G1/2, M20, NPT1/2") (attached with reducer union) |
| Net weight | 7.8Kg |
| Size | Φ 302X249mm |



FHC9304P

Explosion proof LED

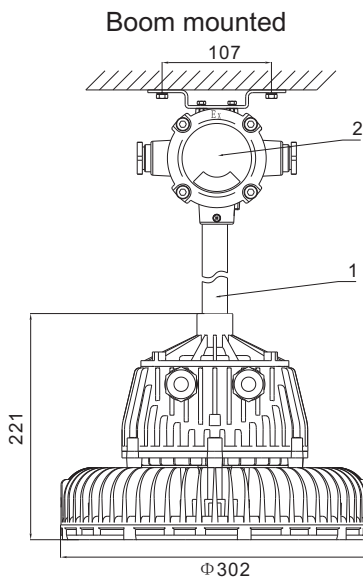
High Bay light



Ordering reference

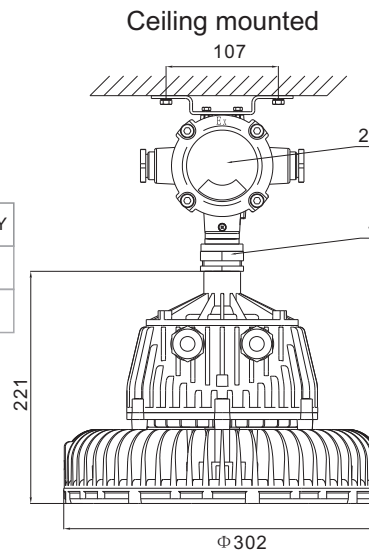
| Model number | Rated wattage (W) | Light output (lm) | Space height ratio | Mounting height(m) | Replace to |
|---------------|-------------------|-------------------|--------------------|--------------------|-------------------|
| | | | | | Metal halide lamp |
| FHC9304P-L80 | 80 | 8873 | 1.4 | 8~12m | 175W |
| FHC9304P-L100 | 100 | 12675 | | | 250W |
| FHC9304P-L120 | 120 | 14803 | | 10~15m | >250W |
| FHC9304P-L150 | 150 | 18675 | | 10~15m | 400W |

Drawing of dimension (Dimensions in mm)



Accessories ordering information (optional)

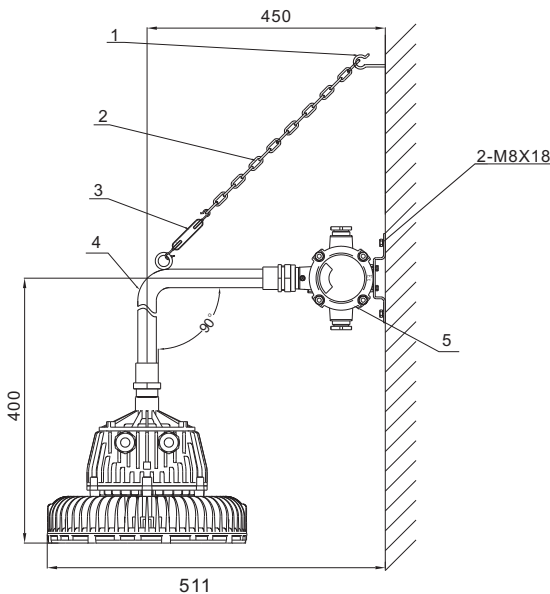
| NO. | ITEM | QTY |
|-----|------------------------------|-----|
| 1 | 30cm boom (G3/4" Male-Male) | 1 |
| 2 | Explosion proof junction box | 1 |



Accessories ordering information (optional)

| NO. | ITEM | QTY |
|-----|------------------------------|-----|
| 1 | Connector G3/4" (Male-Male) | 1 |
| 2 | Explosion proof junction box | 1 |

Side wall mounted 90° (Pole type)



Accessories ordering information (optional)

| NO. | ITEM | QTY |
|-----|------------------------------|-----|
| 1 | Expansion screw hook | 1 |
| 2 | Chain | 1 |
| 3 | C-C screw buckle | 1 |
| 4 | 90° G3/4" bend pipe | 1 |
| 5 | Explosion proof junction box | 1 |



www.fhsolarled.com



FH SOLAR & LED IBERICA S.L
 Calle Serrano 110 | 28006 Madrid
 Tel.+34 913235993 | +34 600027027
 info@fhsolarled.com
 Spain . Colombia . México .Latam

