

Model: FHC5402B

LED Explosion proof Linear for Zone 2



FHC5402B series Zone 2

Application



Ex marking: Ex nR IIC T6 Gc
Ex tc IIIC T80°C Dc

Suitable for oil production platform, oil refining platform, living platform, hazardous chemicals ships, shore machines and other hazardous areas. Suitable for gas explosion area Zone 2

Characteristics

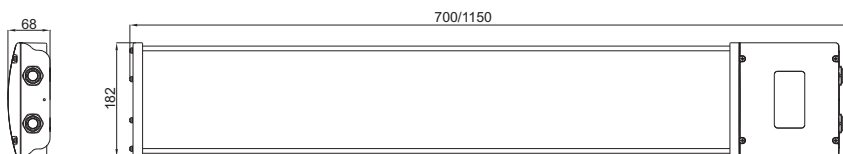


- Seawater resistant, anodized aluminum housing.
- Flexible light exit cover, soft and comfortable light.
- The whole lighting effect is over 110 lm/W.
- Ship-level anti-vibration test.
- Outdoor light diffusion material translucent cover, strong weather resistance.
- Independent junction box design, convenient wiring, can be used in parallel with multiple lamps.
- Exposed fasteners are all made of 304 stainless steel (Ocean platform requires custom 316 stainless steel).

Main Specification

Item	Technical Parameters				
	FHC5402B-L20	FHC5402B-L30	FHC5402B-L40	FHC5402B-L60	FHC5402B-L80
Rated wattage (W)	20W	30W	40W	60W	80W
Input voltage (V)	90~264VAC,50/60Hz				
Light output (lm)	2200lm	3300lm	4400lm	6300lm	8400lm
CCT	5000K (3000K/4000K Optional)				
CRI (Ra)	70				
IP class	IP66				
Ambient Temperature	-40°C~+55°C				
Number of cable inlets	1~2				
Screw Thread of cable inlets	M20*1.5, M25*1.5, NPT1/2, NPT3/4				
Dimension (mm)	700×182×68	700×182×68	700×182×68	1150×182×68	1150×182×68
Net Weight (kg)	3.2	3.2	3.2	4.5	4.7

Drawing of dimension (Dimensions in mm)



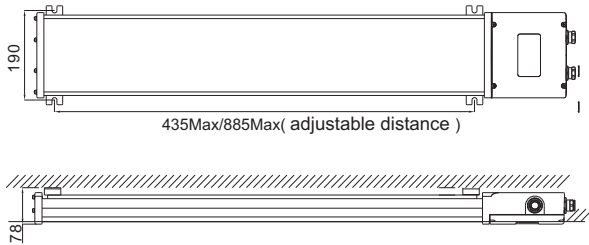
Model: FHC5402B

LED Explosion proof Linear for Zone 2

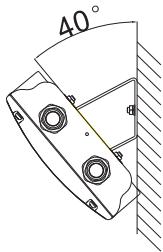


Drawing of dimension (Dimensions in mm)

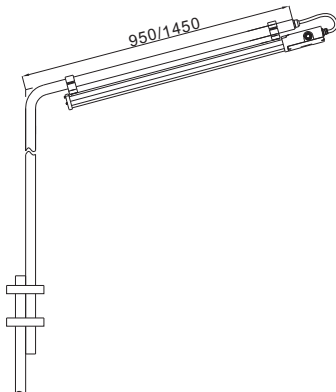
1. Bracket mounting(Standard)



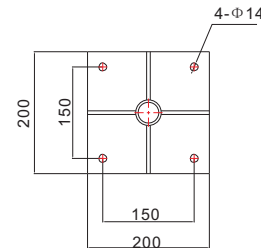
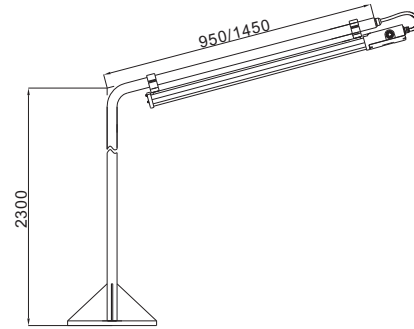
2. Side wall mounting (40 degree)



3. Guardrail installation



4. Flange mounting



Wattage: 20W to 80W
 ZONE 2; ZONE 22
 Temperature class: T1 to T6
 IP Code: IP66
 Certification:



Ex nR IIC T6 Gc



Ex tc IIIC T80 °C Dc

Ambient temp: -40°C to 55°C ATEX
 Cert No.: SEV 18 ATEX 0152 IECEx
 Cert No.: IECEx SEV 18.0031

Ordering reference

Item No.	Rated wattage(W)	Input voltage(V)	CCT	CRI	Mounting type	Number of cable inlets
FHC5402B-L	20/ 30/ 40/ 60/ 80	100V/240V	3000K-30 4000K-40 5000K-50	R7(Ra70) R8(Ra80)	S1 Bracket mounted S2 Side wall mounted S3 Guardrail installation S4 Flange mounting	E1(one cable inlet) E2(two cable inlets)

Example: Specification of Lamp is Power 20W, Color temperature 4000K, Bracket mounting, One cable inlet. Order number as FHC5402B-L20W100/240V40R7S1E1

