

# Model: FHC9307S LED Explosion Proof Light (Bracket)



## FHC5402A series Zone 1



Ex marking: Ex db e IIC T4/T3 Gb  
Ex tb IIIC T130°C/T195°C Db,IP66

## Application

Ideal to be used in the oilfield, chemical industry, offshore drilling platform, steel industry, petroleum etc. Gas explosive environment: Group IIA, IIB, IIC. Zone 1, zone 2; zone 21, zone 22.

## Characteristics



It is made using a special aluminum housing, all exposed fasteners and bracket adopt 304 stainless steel. Using high-tech anti-corrosion surface treatment technology, suitable for long-term highly corrosive environment of offshore oil platforms, oil drilling platform, chlor-alkali, vulcanization cyanide, etc.

A full range of high conductivity material accelerate convection cooling structure, effective guarantee long-term use in high temperature environments.

Variety of light distribution, variety of installation types, an effective solution to beautify workshop and device platform.

The shell is made of high-tech surface coating technology, corrosion resistant, waterproof and dust proof, suitable for harsh environments.

Optoelectronic integrated technology, no dark spot, no ghosting, the average light efficiency of whole lamp can reach to 120 lm/W, energy-saving is 60% more than Metal Halide Lamp.

Taiwan Meanwell driver or driver with same quality, power factor above 0.98, high reliability and long time service life.

Independent wiring chamber, safe and easy installation and maintenance. Quick replay light source without welding.

Intelligent control functions can be realized.( Dimming: 1-10VDC, PWM, Carrier, DALI, etc.)

## Main Specification



Item	Technical Parameters
Input voltage (V)	90~264VAC
Rated frequency	50Hz / 60Hz
CRI (Ra)	70 (80 optional)
Life time (h)	50,000
CCT	5000K(3000K/4000K optional)
Cable entry	M20×1.5
Terminals	Multi core: ≤ 2.5mm <sup>2</sup>
	Single core: ≤ 4mm <sup>2</sup>
Dimension (mm)	295×330×350
Net weight (kg)	7.5

## Ordering reference

Model number	Picture	Rated Wattage (W)	Light output (lm)	Space height ratio	Mounting height (m)	Light distribution Curve(1000cd/lm)	Equivalent to
							MH
FHC9307S -L100-60°×80°		100W	11800	1.25	8~12m		250W
FHC9307S -L120-60°×80°		120W	13600				>250W
FHC9307S -L150-60°×80°		150W	17300				400W
FHC9307S -L200-60°×80°		200W	23300				>400W
FHC9307S -L240-60°×80°		240W	26700				600W~800W



# Model: FHC9307S LED Explosion Proof Light (Bracket)

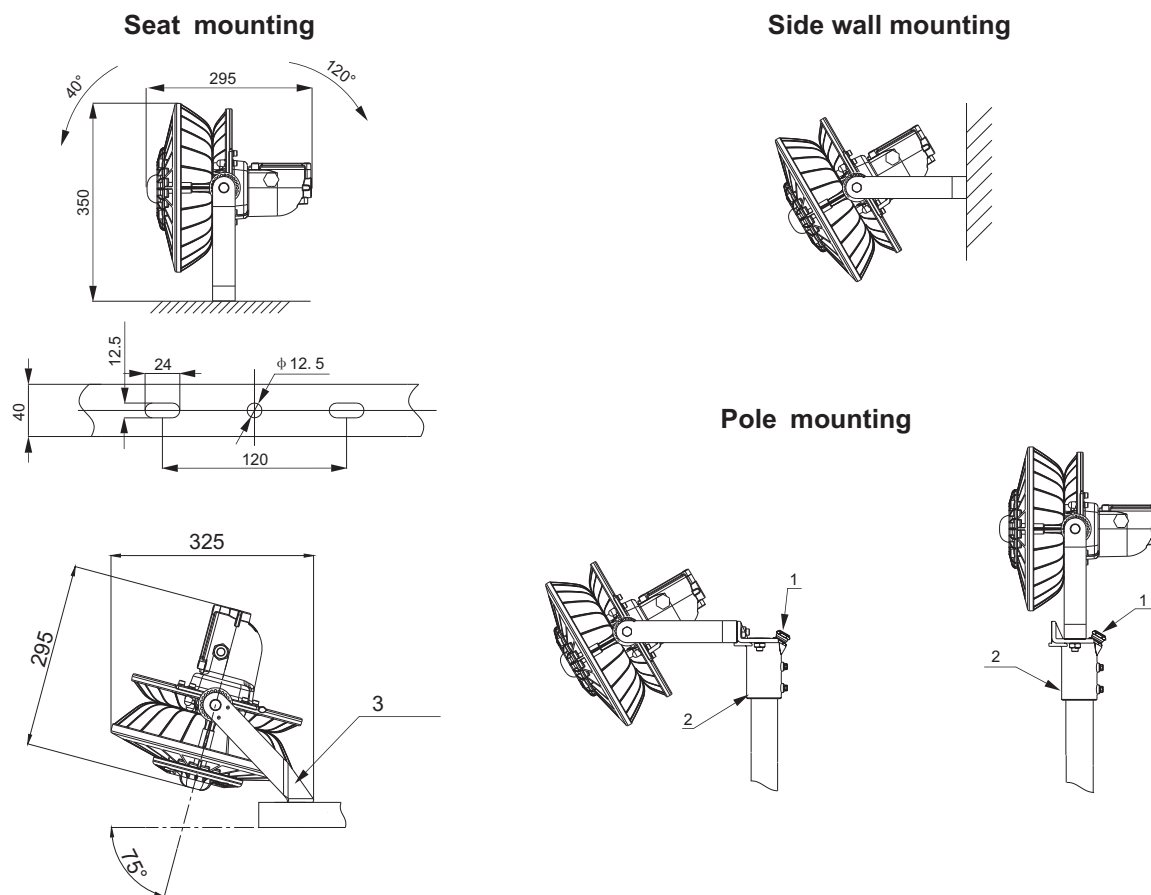


Model number	Picture	Rated Wattage (W)	Light output (lm)	Space height ratio	Mounting height (m)	Light distribution curve(1000cd/lm)	Equivalent to
							MH
FHC9307S -L100-90°×110°		100W	11000	1.75	8~12m		250W
FHC9307S -L120-90°×110°		120W	12600				>250W
FHC9307S -L150-90°×110°		150W	16000		400W		
FHC9307S -L200-90°×110°		200W	22000		>400W		
FHC9307S -L240-90°×110°		240W	25300		600W~800W		

Note 1: Lens can be customized 40°, 60°, 80°, 100°

Note 2: order number "□" according to the actual installation needs fill in 1 or 2, S1 straight stent, S2 angle bracket.

## Drawing of dimension (Dimensions in mm)



### Accessories ordering information(optional)

Order number	No.	Specification	quantity
P23	3	Inclined bracket	1

### Accessories ordering information(optional)

Order number	No.	Specification	quantity	note
P07	1	Water proof plug M20	1	φ 8~ φ 12mm cable
	2	Vertical Mounting pole	1	φ 40~ φ 50mm pole



www.fhsolarled.com



FH SOLAR & LED IBERICA S.L  
Núñez Morgado 5 | 28036 Madrid  
Tel. +34 913235993 | +34 600027027  
info@fhsolarled.com  
Spain . Colombia . México

