

LED CANOPY LIGHTS



SERIES-QD-4-5-6
LED CANOPY LIGHTS

GAS STATION LIGHT



ISO9001
ISO14001

LM-79
LM-80

IP66
IK10



7 YEAR WARRANTY



LED CANOPY LIGHTS

SERIES-QD-4-5-6

LED CANOPY LIGHTS

PRODUCT CATALOG



Overview

The FH Solar & Led Iberica[®] 4,5,6, Series LED canopy lights are using PHILIPS LUMILEDS[®] luminous source, providing excellent lumen output, long-lasting stability and splendid sight.

The FH Solar & Led Iberica 4,5,6 -Series LED canopy lights have a high luminous efficiency and better service life. Provide 7 years warranty on luminaire.

— Silver Gray

HIGH-EFFICACY LED LIGHT SOURCE



Philips Lumileds Luxeon TX Greater than **135lm/W** high efficacy, illumination grade LED light source.



Philips Lumileds 3030 2D Greater than **150lm/W** high efficacy, illumination grade LED light source.



Philips Lumileds 5050 Greater than **185lm/W** high efficacy, illumination grade LED light source.

HIGH-END LED DRIVER (Two options)

+ NON-DIMMABLE



High-end Mean Well HLG Series LED driver, optimal stability, performance and lifespan.

+ DIMMABLE

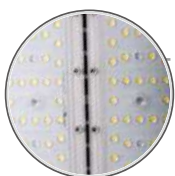
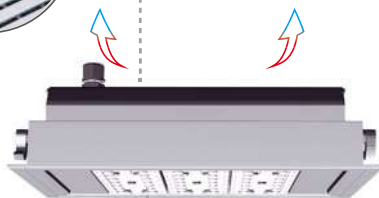


High-end Inventronics programmable LED driver, integrate dimming function and 6KV /10KV surge protection. Provide excellent performance and lifespan.

AIR CONVECTION EFFECT

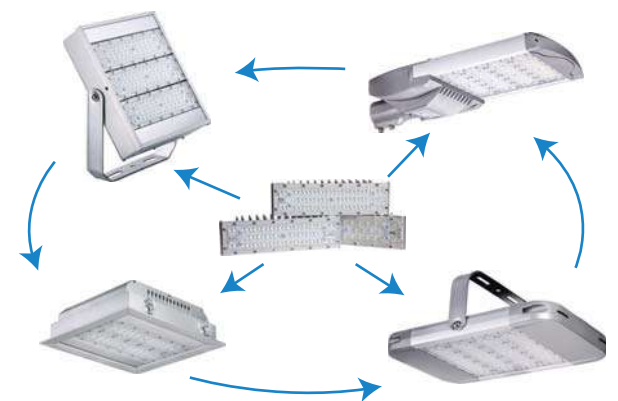


Reasonable heat sink design, not only keep ventilation but also avoid laceration.



Gaps between each module increase heat dissipation speed and solve the problem of dust deposition.

FLEXIBLE COMBINATIONS OF MODULES

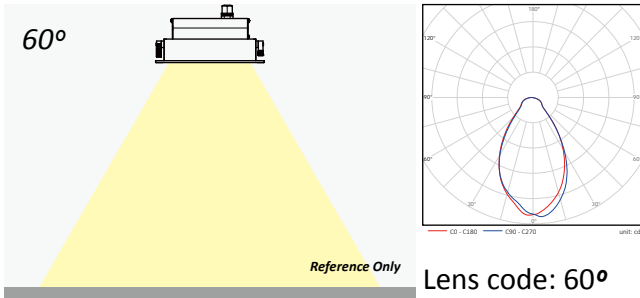


LED CANOPY LIGHTS

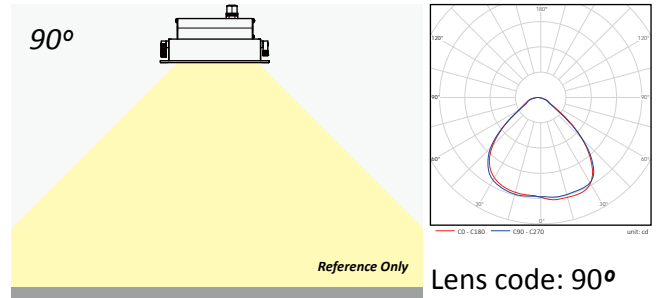
SERIES-QD-4-5-6 LED CANOPY LIGHTS

PRODUCT CATALOG

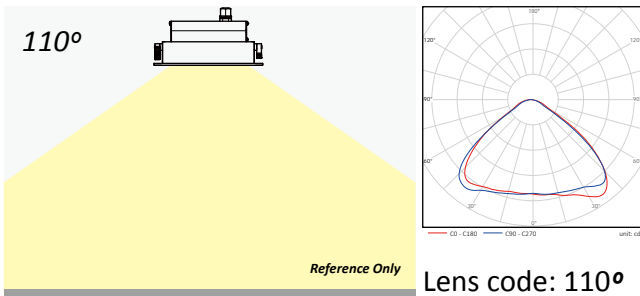
Optics



Applications:
Shelf Aisle | High Hall | High Workshop



Applications:
Warehouse | Workshop



Applications:
Warehouse | Workshop | Gas Station



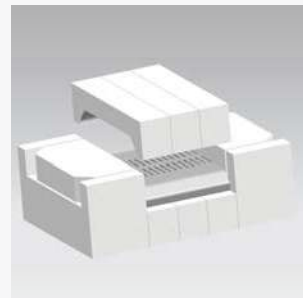
Professional lens design with 60°, 90° and 110° optional.



Use M16 waterproof connector, avoid hard power damage.



The exquisite and innovated frame holder not only makes the installation more simple but also firmer.



A special tailormade packaging designed to guarantee the highest protection of the lamp.



Use waterproof connector for internal wiring, safe, convenient & fast.



Innovative pluggable connector, clean & efficient.



Convenient & fast installation.



With a non-corrosive material, not only exquisite appearance, but also no corrosion concerns.

DETAILED FEATURES



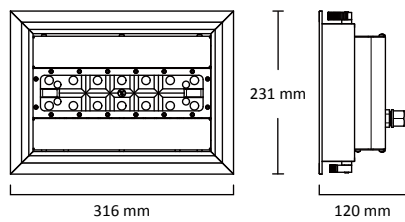
LED CANOPY LIGHTS

SERIES-QD-4-5-6

LED CANOPY LIGHTS

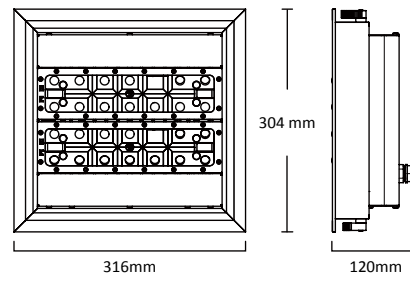
PRODUCT CATALOG

Dimension



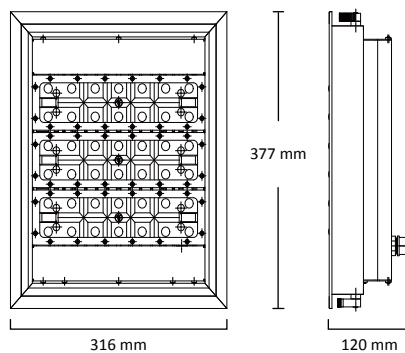
316 mm
Ceiling Thickness: 10 - 25 mm
Hole Size: 202 × 285 mm

1 module



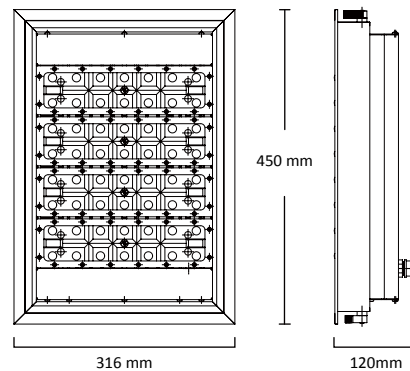
316mm
Ceiling Thickness: 10 - 25 mm
Hole Size: 275 × 285 mm

2 modules



316 mm
Ceiling Thickness: 10 - 25 mm
Hole Size: 348 × 285 mm

3 modules



316 mm
Ceiling Thickness: 10 - 25 mm
Hole Size: 421 × 285 mm

4 modules

Electrical & Photometric

★ 3030 Version

Number of Modules	Model	LED Working Current	Power	Luminaire Efficacy (+/- 5%)	Lumen Output (+/- 5%)	Input Voltage	LED Brand	Driver Brand	Light Distributions	CCT (K)	Lifetime (h)
1	FH-QD40-4	95mA	40W	130 lm /w	5200 lm	100-240V /277V AC 50 /60Hz	Philips Lumileds 3030 2D	MeanWell Inventronics	60° 90° 110°	3000* 4000 5000 5700	>100,000 (L70)
	FH-QD50-5	115mA	50W	125 lm /w	6250 lm						>80,000 (L70)
	FH-QD60-6	145mA	60W	120 lm /w	7200 lm						>100,000 (L70)
2	FH-QD80-4	100mA	80W	130 lm /w	10400 lm						>80,000 (L70)
	FH-QD100-5	120mA	100W	125 lm /w	12500 lm						>100,000 (L70)
	FH-QD120-6	145mA	120W	120 lm /w	14400 lm						>80,000 (L70)
3	FH-QD120-4	100mA	120W	130 lm /w	15600 lm						>100,000 (L70)
	FH-QD150-5	120mA	150W	125 lm /w	18750 lm						>80,000 (L70)
	FH-QD180-6	145mA	180W	120 lm /w	21600 lm						>100,000 (L70)
4	FH-QD160-4	100mA	160W	130 lm /w	20800 lm						>80,000 (L70)
	FH-QD200-5	120mA	200W	125 lm /w	25000 lm						>100,000 (L70)
	FH-QD240-6	145mA	240W	120 lm /w	28800 lm						>80,000 (L70)

*Luminous Efficacy of 3000K is 5% lower than other CCTs.



LED CANOPY LIGHTS

SERIES-QD-4-5-6

LED CANOPY LIGHTS

PRODUCT CATALOG

★ 5050 Version

Number of Modules	Model	LED Working Current	Power	Luminaire Efficacy (+/- 5%)	Lumen Output (+/- 5%)	Input Voltage	LED Brand	Driver Brand	Light Distributions	CCT (K)	Lifetime (h)
1	FH-QD40-4	48mA	40W	110	6400 lm	100-240V /277V AC 50 /60Hz	Philips Lumileds 5050	MeanWell Inventronics	110°	3000* 4000 5000 5700	>85,000 (L70)
	FH-QD50-5	59mA	50W	110	7750 lm						>80,000 (L70)
	FH-QD60-6	75mA	60W	110	9300 lm						>85,000 (L70)
2	FH-QD80-4	50mA	80W	110	13200 lm						>80,000 (L70)
	FH-QD100-5	61mA	100W	110	16000 lm						>85,000 (L70)
	FH-QD120-6	75mA	120W	110	18600 lm						>80,000 (L70)
3	FH-QD120-4	50mA	120W	110	19800 lm						>85,000 (L70)
	FH-QD150-5	58mA	150W	110	24000 lm						>80,000 (L70)
	FH-QD180-6	75mA	180W	110	27900 lm						>85,000 (L70)
4	FH-QD160-4	50mA	160W	110	26400 lm						>80,000 (L70)
	FH-QD200-5	58mA	200W	110	32000 lm						>85,000 (L70)
	FH-QD240-6	75mA	240W	110	37200 lm						>80,000 (L70)

*Luminous Efficacy of 3000K is 5% lower than other CCTs.

★ 3535 Version

Number of Modules	Model	LED Working Current	Power	Luminaire Efficacy (+/- 5%)	Lumen Output (+/- 5%)	Input Voltage	LED Brand	Driver Brand	Light Distributions	CCT (K)	Lifetime (h)
1	FH-QD40	860mA	40W	110 lm /w	4400 lm	100-240V /277V AC 50 /60Hz	Philips Lumileds Luxeon TX	MeanWell Inventronics	60° 90° 110°	3000* 4000 5000 5700	>100,000 (L70)
2	FH-QD80	900mA	80W	110 lm /w	8800 lm						
3	FH-QD120	900mA	120W	110 lm /w	13200 lm						
4	FH-QD160	900mA	160W	110 lm /w	17600 lm						

*Luminous Efficacy of 3000K is 5% lower than other CCTs.

Working Environment & Packing

Number of Modules	Working Environment	Storage Temperature	Rating	CRI	Power Factor	Power Efficiency	Material	Hole Size (mm)	Product Dimensions (mm)	Carton Size (mm)	N.W (kg)	G.W (kg)
1	-40 °C ~ +50 °C 10% ~ 90%RH	-40 °C ~ +50 °C	Class I IP66 IK10	>70	>0.95	>90%	Housing: Aluminium Alloy; Lens: PC	202*285	231*316*120	285*370*200	2.4	3.1
2								275*285	304*316*120	355*370*200	3.6	4.4
3								348*285	377*316*120	430*370*200	4.4	5.2
4								421*285	450*316*120	505*370*200	5.4	6.3

Note: Above data of weight are all typical values.

Certification

Manufacturer
ISO9001, ISO14001
Series /4/5/6 [-FH-QD40, FH-QD80, FH-QD120, FH-QD160]
CE, ROHS, GS, CB, SAA, LM80, ATEX
4/5 Series [FH-QD40-4, FH-QD80-4, FH-QD120-4, FH-QD160-4 FH-QD50-5, FH-QD100-5, FH-QD150-5, FH-QD200-5]
CE, ROHS, LM80, ATEX
6 Series [FH-QD60-6, FH-QD120-6, FH-QD180-6, FH-QD240-6]
CE, ROHS, LM80



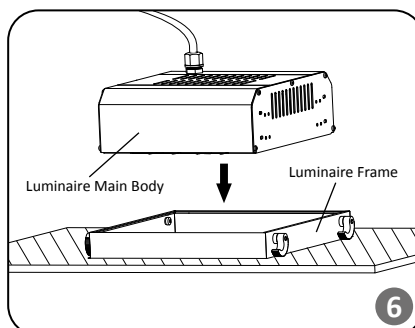
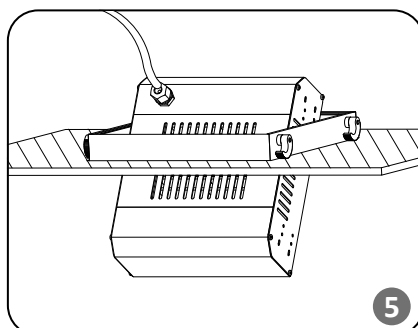
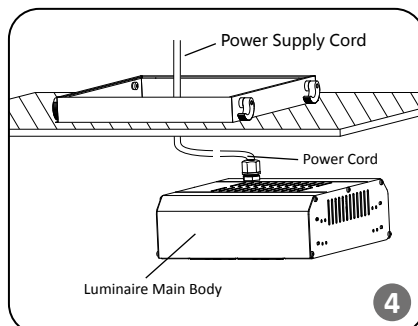
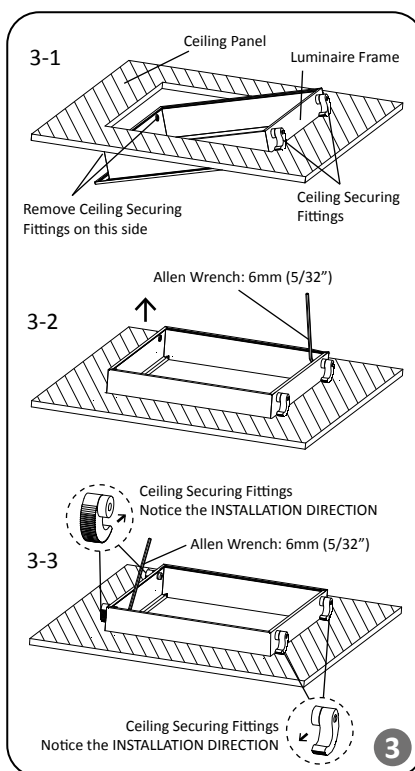
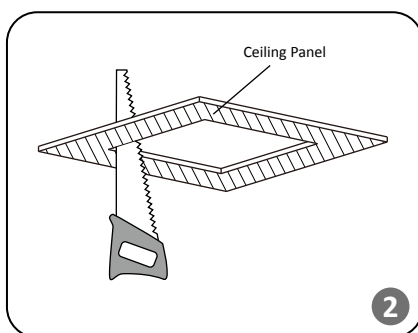
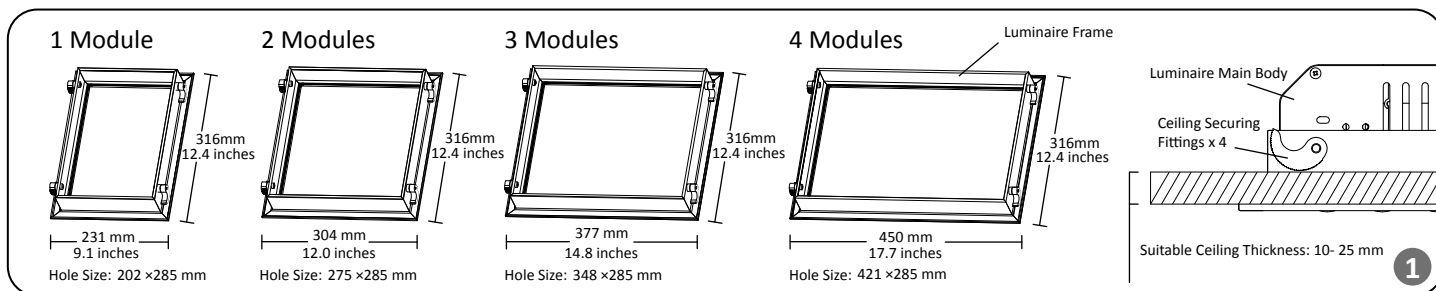
LED CANOPY LIGHTS

SERIES-QD-4-5-6

LED CANOPY LIGHTS

PRODUCT CATALOG

Installation



STEP 1:

Open the mounting hole on the Ceiling Panel. (See **Figure 1** for opening size)

STEP 2:

Remove two(2) Ceiling Securing Fittings of one side, bring the side of Luminaire Frame with Ceiling Securing Fittings into Ceiling Panel. See **Figure 3-1**.

Bring entire Luminaire Frame into Ceiling Panel, Clamp the Ceiling Panel by Ceiling Securing Fittings and tighten by 6mm (5/32") Allen Wrench. See **Figure 3-2**.

Mount the removed Ceiling Securing Fittings back to Luminaire Frame, notice that the both sides are opposited. Clamp and tighten by 6mm (5/32") Allen Wrench. See **Figure 3-3**.

STEP 3:

Connect the **Power Cord** to the supply wiring per "**Electrical Connections**" section for completing electrical connections.

STEP 4:

Tilt and bring the Luminaire Main Body into Luminaire Frame after the step of "**Electrical Connections**". See **Figure 5**.

STEP 5:

Place the Luminaire Main Body by horizontal onto Luminaire Frame, fine tuning and ensure the Luminaire Main Body is snapped into to the slot of Luminaire Frame. See **Figure 6**.



LED CANOPY LIGHTS

SERIES-QD-4-5-6 LED CANOPY LIGHTS

APPLICATIONS



- For Gas Station, Malaysia



- For Gas Station, Nigeria



- For Gas Station, Campiña



- For Gas Station, Spain



LED CANOPY LIGHTS



SERIES-QD-4-5-6
LED CANOPY LIGHTS

GAS STATION LIGHT



INTERNATIONAL OFFICES FH SOLAR & LED IBERICA

 **FHsolar&ledIberica**®
Soluciones Energéticas Renovables
Calle Serrano 110 Planta 1ª Madrid 28006
Tel : +34 913235993 / 600027027
España . Colombia . México . Latam
www.fhsolarled.com . info@fhsolarled.com



LED CANOPY LIGHTS