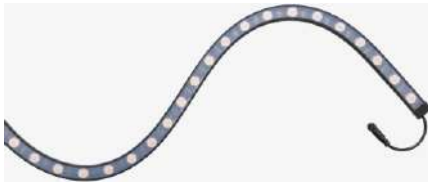


FLEXIBLE WALL WASH LIGHT

FH-FXWW077



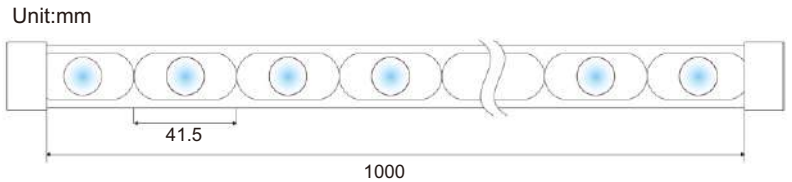
- LED using high bright 3030/3535 custom light beads
- The color is warm white/cold white/two-color/RGB/RGBW
- Control mode: switch/SPI/DMX512
- Silicone material, good flexibility, 360° bending
- The surface is dustproof and UV resistant
- Material and high protection level (IP65/IP67)
- Anti-collision rating: IK07



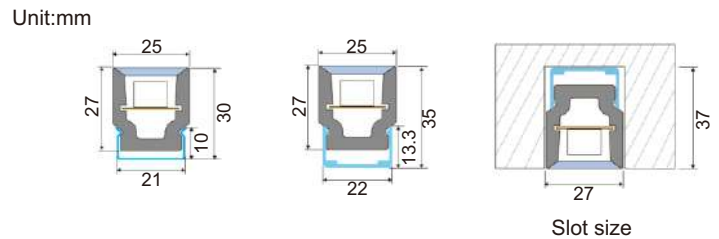
Product Specifications

Lamp bead type	3030/3535
Size	25x27mm
Bead spacing	41.5mm
Standard length	1000mm
Lamp bead Num.	24led/m
Voltage	24V DC
Electricity	1A
Power	24W
Environment Operating	Outdoor, IP65/IP67
Temperature	- 25°C to +60°C

Dimension drawing



Installation

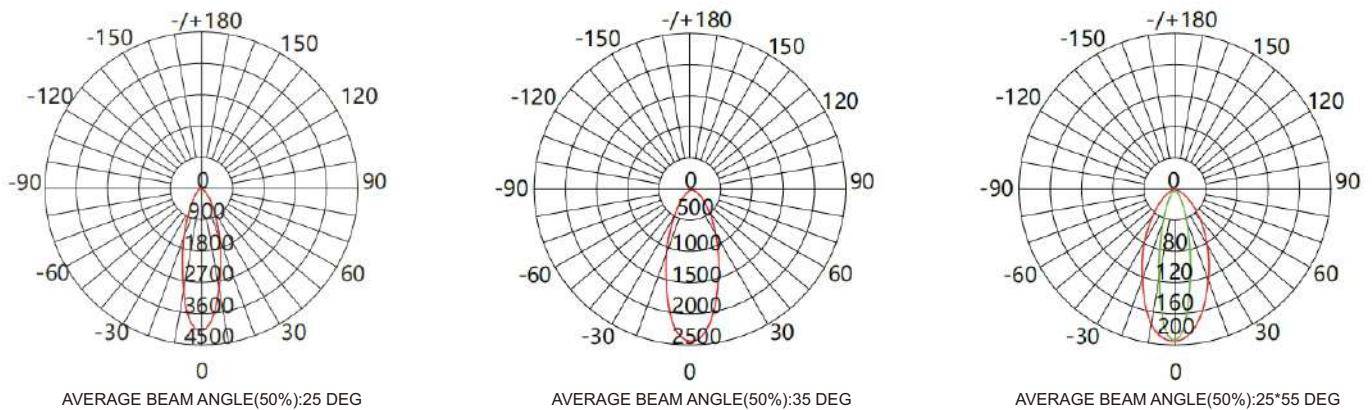


Photoelectric Parameter

Lamp bead type	3030	3030	3030	3030	3030	3535	
Control	Steady	DMX512(QUCS512H4 4CH)				DMX512(QUCS512H4 4CH)	
Core sort	Red:V+/Black:V-	Red:V+/Black:GND/Green:A/Blue:B/White:PI				Red:V+/Black:GND/Green:A/Blue:B/White:PI	
Voltage	24V DC	24V DC				24V DC	
Power	24W	24W				24W	
Luminous flux	1349Lm	1453Lm	1621Lm	1800Lm	1944Lm	750Lm	880Lm
Efficacy	57.8Lm/W	61Lm/W	66Lm/W	75Lm/W	55Lm/W	30Lm/W	36Lm/W
CRI	Ra:90	Ra:90				/	Ra:90
Colour	2700K±100	3000K±100	4000K±100	5000K±200	2700~6500K±200	R:620/G:530/B:460	R:620/G:530/B:460/W:2700~6500K

Custom length 250mm, the length of the plugs at both ends is 20mm

Candela Distribution



Light color can be selected:



Usage Scenario



Indoor and outdoor curved architecture

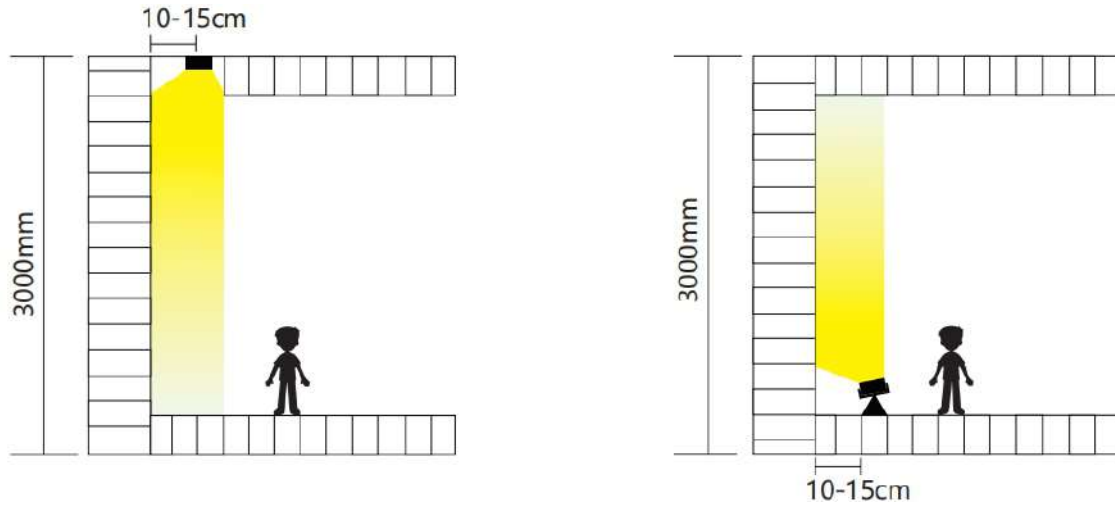


Outdoor building

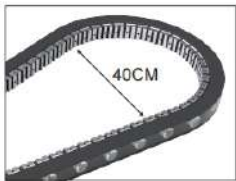


Bright landscape

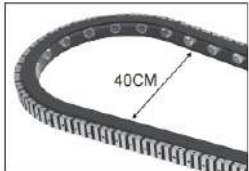
Light Output Diagram



Bending Mode



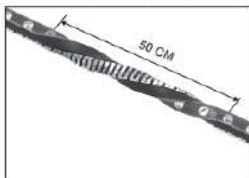
1. The luminous surface faces outward and curves inward.
The inner diameter of the bend cannot be less than 40CM.



2. The luminous surface faces inward and bends inward.
The inner diameter of the bend cannot be less than 40CM



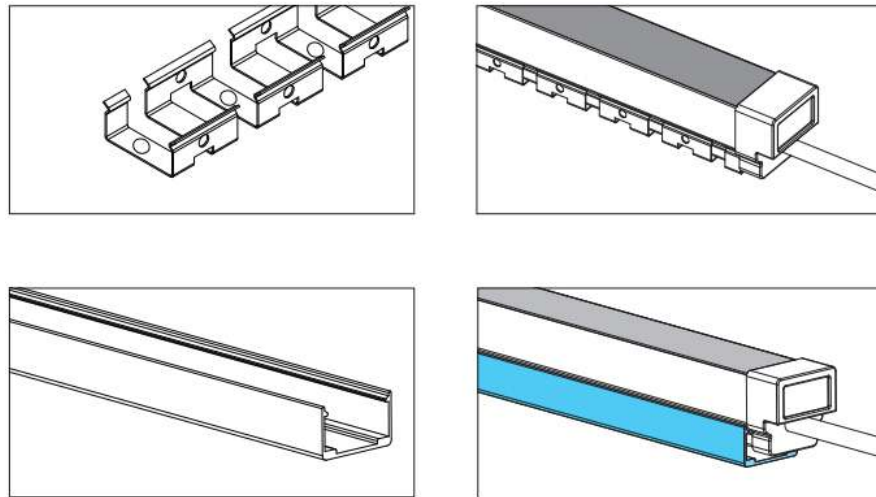
3. Light up, side curved.
The inner diameter of the bend should not be less than 30CM



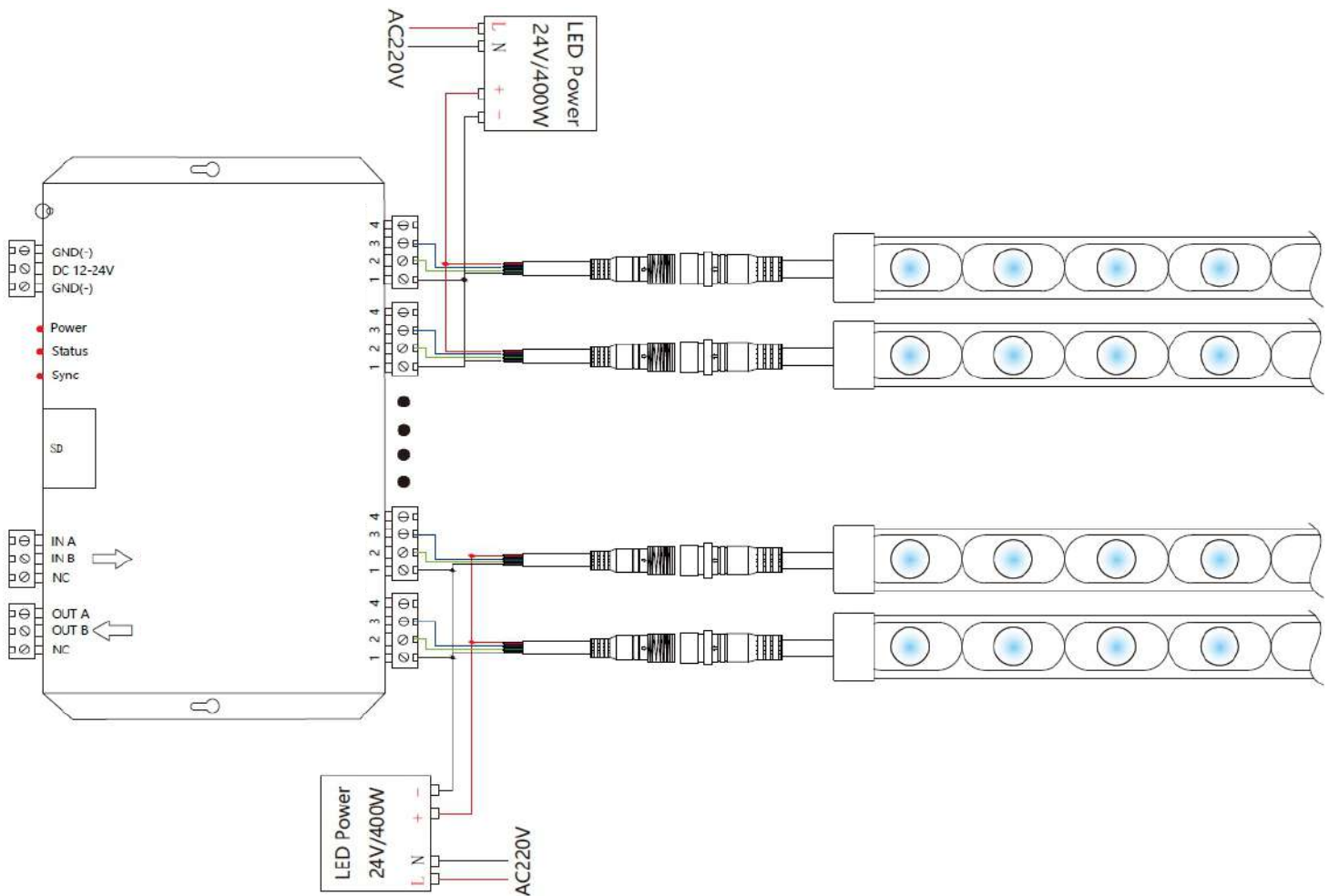
4. Twist, twist in the middle.
The spacing can be less than 50CM

Installation

Keel mounting method



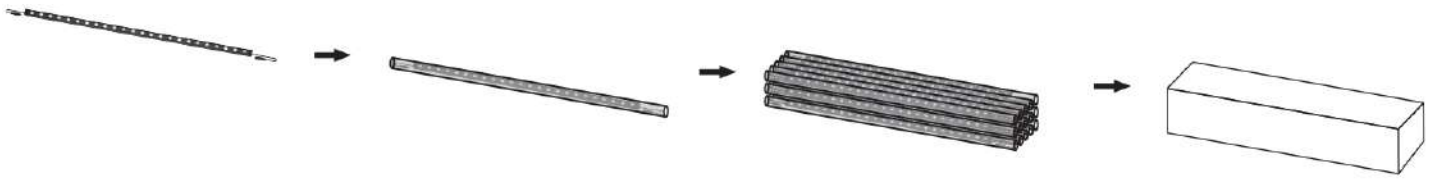
Wiring Diagram



Note: For each part of the controller, data A is connected to data A on the light belt; GND and light belt GND or negative connection; The length of the cable from the lamp to the controller should be less than 30 meters, To prevent signal interference, you can use 2*0.5MM² cable or more than 5 type network cable.

Installation instructions: 1. The light belt is 24V DMX512 point control light belt, 1 meter 24 lights, 3535RGBW, 6 lights are 1 group, 1 meter is 4 or 8 pixels, the maximum power is 24W;
2. A 24V, 400W power supply can drive about 14m lamp belt;

Installation



ID	Packaging Type	Carton Size(mm)	Packing Quantity (pieces)	Net Weight (KG)	Gross Weight (KG)
2527	PVC sleeve + carton	1160x240x150mm	20	14KG	15KG

The above packaging quantity and weight are only for the packaging method shown in the figure. When other packaging methods are used, there will be differences in packaging quantity and weight. The specific object shall prevail.

Matters needing attention

- During installation, it is strictly prohibited to roughly pull and twist the silicone lamp belt, and it is forbidden to vigorously pull the exposed wire and the root of the violently folded wire, otherwise it will damage the lamp belt.
- After opening the package, light the test before installation. Check whether the lamp belt is damaged during packaging or transportation, so as not to waste time installing.
- Installation of flexible wall washer:
 - Single-end cable installation: installation must be coordinated by two people, (or with the help of the shelf, the uninstalled belt is placed on the shelf), starting from the head of the cable. One person will set it, one person will hold the extra strip. Convenient installation at the same time, but also to protect the lamp belt, so as not to be damaged.
 - Both ends of the wire installation: the installation must be coordinated by two people, (or with the help of the shelf, the uninstalled belt on the shelf), from which the end of the wire began to be inlaid and fixed. Convenient installation at the same time, but also to protect the lamp belt, so as not to be damaged. When approaching the other line end about half a meter, stop the insertion by holding down the insertion port with a person's hand. In case the embedded lamp belt starts to fall off from the insert. The other person picks up the other outlet end and starts the insertion from the other inlay. Until the ends are fully embedded.
- Removal of flexible wall washer:

If the use of the process light is not lit, it is also within the warranty or replacement period. Need to return to the factory for maintenance, please do not disassemble violently. Violent disassembly is easy to damage the electronic components inside, we have to find out the cause of damage inside. The disassembly method is the same as the installation method.

 - Single-end outlet disassembly: Power off before disassembly. Two people work together to disassemble, (or with the help of a shelf, put the disassembled tape on the shelf), starting from the end of the disassembly. One person is responsible for disassembling, and one person is responsible for holding the disassembled light belt. Convenient disassembly at the same time, but also to protect the lamp belt, so as not to be damaged. After the disassembly is complete, cut the wire.
 - Both ends of the cable disassembly: disassembly must first power off, cut one end of the wire. Two people work together to disassemble, (or with the help of a shelf, put the disassembled belt on the shelf), to facilitate disassembly at the same time, but also to protect the lamp belt, so as not to be damaged. Close to another time, cut the wire, disassembly complete.
- Cutting of flexible wall washer:
 - The lamp belt in the cutting process: must first power off. Live cutting is not allowed.
 - In the cutting process of the light belt: try to align the cutting line of the light belt, or cut the black spot of the light belt window short.
- Strictly follow the voltage label on the lamp to supply power. (Too low voltage will not light, or not bright enough. Too high a voltage will burn the lamp strip.)
- Silicone flexible wall washer installation and use environment, can not have polluting gas. For example: carbon dioxide, methane, chlorofluorocarbons and so on. It will cause different degrees of damage to the silica gel, such as: yellow, hard, brittle and so on.