

LED WALL WASHER

ITEM NO.: FH-OP-D80 Series

INSTRUCTION OF LED WALL WASHER- FH-OP-D80

This product is mainly used for decorating and highlighting in building frame, garden, etc. It can work in independent mode and DMX mode, which can generate various color changing effects, such as flashing, fading, steady, seven color jumping synchronously etc. (DMX256 class gray degree dimmer, DMX programable thousands of effects. available if many lights being connected together);

A. Specification

A-1. Structure

Materials Of Shell: Stainless steel cover+Aluminum Alloy 6063+PC round tube

Operating Voltage: 100~277V AC

Protection Rating: IP67

Operating Temperature: -20°C~45°C



FH-OP-D80

A-2. Model Configuration Table

Model	LED Quantity	LED Color	Power Consumption	Beam Angle	Size	Weight	✓
FH-OP-D80-L12	24	W/RGBW	36W	20°/30°/45° /20x40°	L1290xD80mm	4.4±5%kgs	
FH-OP-D80-L6	12	W/RGBW	18W		L685xD80mm	2.5±5%kgs	

B. Working mode

B-1. Independent Mode: Choose the build-in programs via the buttons on the back of the head.

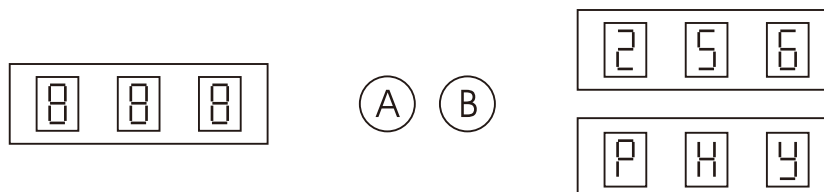
B-2. DMX Mode: International standard DMX512 signal.

B-3. Master/Slave Mode: Auto online and synchro working.

C. Function & Setup:

C-1. Independent Mode

After pressing **A** four times (the first three times is the setup on DMX address) or **B** directly, light enter into independent mode; the digital LEDs show **PXY**, press **A** once, active digital LEDs move backward, you can choose function via **X** and parameter via **Y**; Press **B**, the corresponding flash digital LED increases one bit (range: 1~9).



X refers to functions (the value between 1 to U), **Y** refers to value of speed and gray degree for the functions (the value between 1 to 9). When pressing button, please wait for about 10 sec, then you can exit the mode of adjustment function, the digital LED stop flashing and data recorded.

Function and parameter sheet:

X value	Y value
1-static red	1~9 class gray degree
2-static green	1~9 class gray degree
3-static yellow	1~9 class gray degree
4-static blue	1~9 class gray degree
5-static purple	1~9 class gray degree
6-static cyan	1~9 class gray degree
7-staic R+G+B	1~9 class gray degree
8-static white	1~9 class gray degree
9-white+red	1~9 class gray degree
A-white+green	1~9 class gray degree

X value	Y value
B-white+red+green	1~9 class gray degree
C-white+blue	1~9 class gray degree
D-white+blue+red	1~9 class gray degree
E-white+blue+green	1~9 class gray degree
F-white+red+green+blue	1~9 class gray degree
G-multicolor changing	1~9 class speed
H-single fading	1~9 class speed
L-multicolor fading	1~9 class speed
P-multicolor flashing	1~9 class speed
U-autorun	1~9 times circle

C-2. DMX Mode

1. DMX Addressing

When the digital LED is not flashing, press **A**, digital LED begin to flash, press **A** once, active digital LEDs moves backward, you can start to edit the second digital LED; Press **B**, the corresponding flash digital LED increase one bit (the values between 1 to 9).

2. DMX Channel instruction-4 Channels available as sheet:

LED WALL WASHER

ITEM NO.:FH-OP-D80 Series

CHANNEL 1		CHANNEL 2		CHANNEL 3		CHANNEL 4	
Data	Function	Data	Function	Data	Function	Data	Function
0~255	Brightness of Red	0~255	Brightness of Green	0~255	Brightness of Blue	0~255	Brightness of White

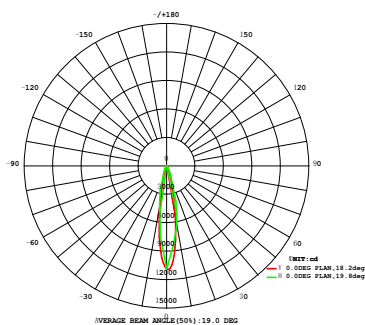
***Enter or quit DMX mode automatically once detecting valid signal!!!

C-3. Master/Slave Mode

Choose any one light as the master for attaining auto online function,the operations are as below: firstly, set the address of master as 001, others are set as slave (address can be any one except 001); Change function of the master (001) light, then all lights will work synchronously;

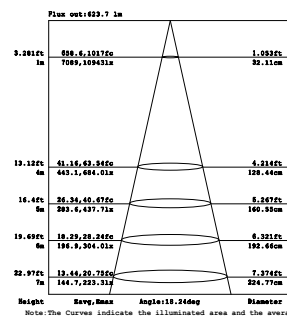
D. Dimension Drawing

D-1. Distribution Curve



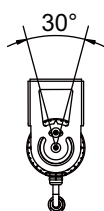
D-2. Illuminance at a distance

FH-OP-D80-L12

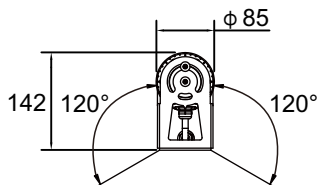


RGBW

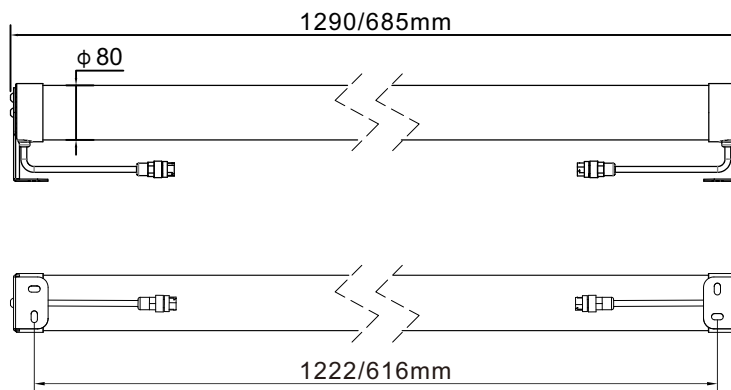
E. Photometric Parameters(Unit:mm)



Support scheme 1

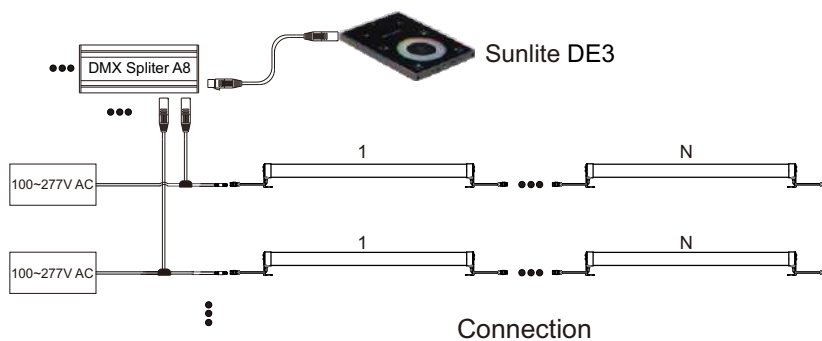


Support scheme 2

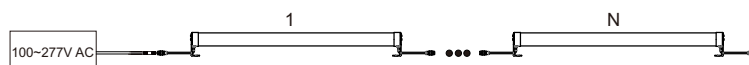


F. Connection Drawing

F-1. DMX Control connection:



F-2. Steady color connection:



LED WALL WASHER

ITEM NO.: FH-OP-D80 Series

Mode No	Voltage	Power connection (MAX)	Signal Connection (RGBW:4CH/4ft)
FH-OP-D80-L12-DMX	100-277V AC	12 PCS(100-120V) 30 PCS(220-277V)	128 PCS
FH-OP-D80-L6-DMX	100-277V AC	26 PCS(100-120V) 60 PCS(220-277V)	256 PCS
FH-OP-D80-L12-S	100-277V AC	12 PCS(100-120V) 30 PCS(220-277V)	-
FH-OP-D80-L6-S	100-277V AC	26 PCS(100-120V) 60 PCS(220-277V)	-

Caution:

1. Do not plug them into power when the product is still in package;
2. Don't use anything to cover the fixture during application;
3. Don't use this product in close environment;
4. If this product appears to be damaged, do not attempt any repair, please contact your dealer.

Warning:

- * Please tighten the connection of lamp fittings to avoid the abnormal work of products caused by water inlet; Can not splice the head, will lead to waterproof failure.

